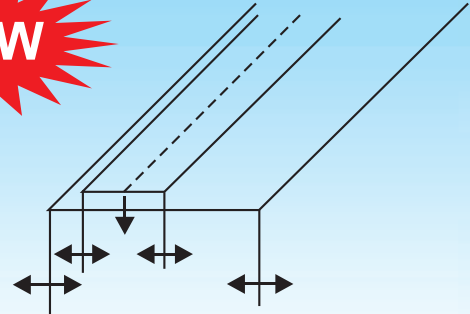




SINGLE NEEDLE CLOTH GUIDE ADJUSTABLE FEET

G10-CRL



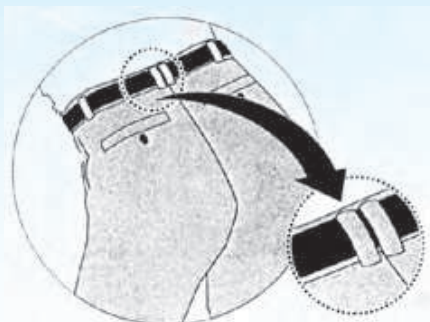
- 1. 可以調整左、右擋邊尺寸。
- 2. 車縫布條，可調整大小，0~20mm
- 1. CAN ADJUSTABLE THE SIZE OF BOTH SIDE ON THE EDGE.
- 2. SEAM CLOTH CAN ADJUSTABLE THE TAPE SIZE. 0~20mm

ADJUSTABLE CONCEALED SEAM COMPENSATING FEET

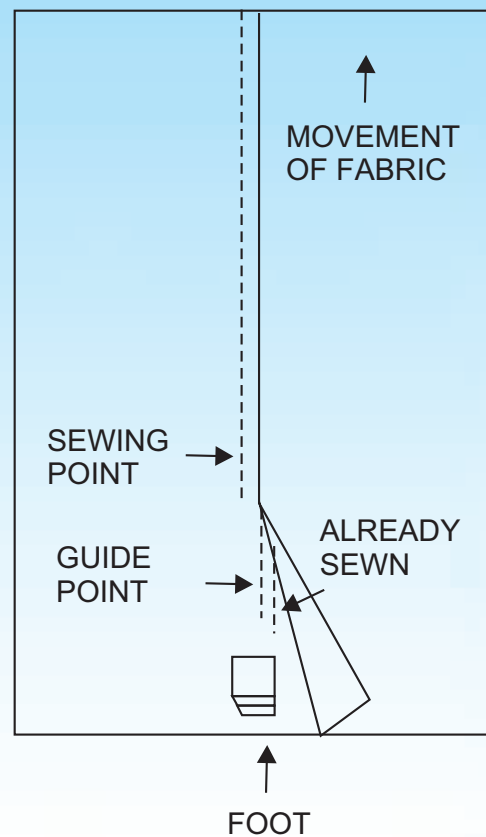
NR-31G



NL-31G

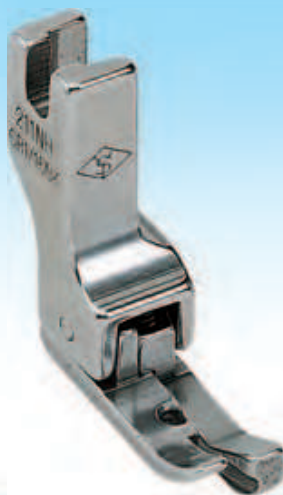


CONCEALED SEAM
FOR SKIRTS OF SLACKS





COMPENSATING FEET FOR KNIT



CR1/16NK

CR1/32NK (210H)
 CR1/16NK (211NH)
 CR1/32K (21H)
 CR1/16K (211H)
 CR3/32K (2111/2H)
 CR1/8K (212H)
 CR5/32K (212 1/2H)
 CR3/16K (213H)
 CR1/4K (214H)
 CR5/16K (215H)
 CR3/8K (216H)
 CR1/2K (218H)



CL1/16NK

CL1/32NK (220H)
 CL1/16NK (221NH)
 CL1/32K (22H)
 CL1/16K (221H)
 CL3/32K (221 1/2H)
 CL1/8K (222H)
 CL5/32K (222 1/2H)
 CL3/16K (223H)
 CL1/4K (224H)
 CL5/16K (225H)
 CL3/8K (226H)
 CL1/2K (228H)

COMPENSATING FEET



CR1/16N

CR1/32NN (210RN)
 CR 1/16NN(211NN)
 CR1/32N (210R)
 CR1/16N (211N)
 CR1/32E (21R)
 CR1/16E (211R)
 CR3/32E (2111/2)
 CR1/8E (212R)
 CR5/32E (212 1/2)
 CR3/16E (213R)
 CR1/4E (214R)
 CR5/16E (215R)
 CR3/8E (216R)
 CR1/2E (218R)



CL1/16N

CL1/32NN(220LN)
 CL 1/16NN(221NN)
 CL1/32N (220L)
 CL1/16N (221N)
 CL1/32E (22L)
 CL1/16E (221L)
 CL3/32E (221-1/2)
 CL1/8E (222L)
 CL5/32E (222 1/2)
 CL3/16E (223L)
 CL1/4E (224L)
 CL5/16E (225L)
 CL3/8E (226L)
 CL1/2E (228L)

COMPENSATING FEET FOR KNIT (STRENGTH)

USE ON THICKNESS OF FABRICS THE SIDE SCREW
 CAN EASY HOLD THE GUIDE ,SO THE CLOTH CAN SMOOTHLY



CR1/16NS

NEW

SIZE
 CR1/32NS CR5/32ES
 CR1/16NS CR3/16ES
 CR1/32ES CR1/4ES
 CR1/16ES CR5/16ES
 CR3/32ES CR3/8ES
 CR1/8ES CR1/2ES



CL1/16NS

NEW

SIZE
 CL1/32NS CL5/32ES
 CL1/16NS CL3/16ES
 CL1/32ES CL1/4ES
 CL1/16ES CL5/16ES
 CL3/32ES CL3/8ES
 CL1/8ES CL1/2ES





COMPENSATING FEET



CR15N

- CR-10N-1.0mm
- CR-15N-1.5mm
- CR-10 -1.0mm
- CR-15 -1.5mm
- CR-20 -2.0mm
- CR-25 -2.5mm
- CR-30 -3.0mm
- CR-40 -4.0mm
- CR-50 -5.0mm
- CR-60 -6.0mm
- CR-65 -6.5mm
- CR-70 -7.0mm
- CR-80 -8.0mm
- CR-90 -9.0mm
- CR-100 -10 mm
- CR-110 -11 mm
- CR-130 -13 mm



CL15N

- CL-10N-1.0mm
- CL-15N-1.5mm
- CL-10 -1.0mm
- CL-15 -1.5mm
- CL-20 -2.0mm
- CL-25 -2.5mm
- CL-30 -3.0mm
- CL-40 -4.0mm
- CL-50 -5.0mm
- CL-60 -6.0mm
- CL-65 -6.5mm
- CL-70 -7.0mm
- CL-80 -8.0mm
- CL-90 -9.0mm
- CL-100 -10 mm
- CL-110 -11 mm
- CL-130 -13 mm

COMPENSATING FEET (SHORT TOE)



CR1/16

- CR1/32
- CR1/16
- CR3/32
- CR1/8
- CR5/32
- CR3/16
- CR1/4
- CR5/16
- CR3/8
- CR1/2



CL1/16

- CL1/32
- CL1/16
- CL3/32
- CL1/8
- CL5/32
- CL3/16
- CL1/4
- CL5/16
- CL3/8
- CL1/2

COMPENSATING FEET FOR KNIT (STRENGTH)

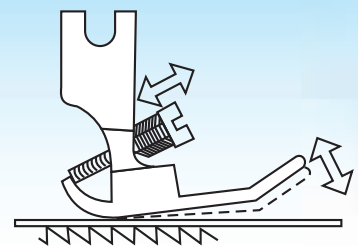
USE ON THICKNESS OF FABRICS THE SIDE SCREW CAN EASY HOLD THE GUIDE ,SO THE CLOTH CAN SMOOTHLY (SHORT TOE)



- | SIZE (RIGHT) | SIZE (LEFT) |
|--------------|-------------|
| CR1/32S | CL1/32S |
| CR1/16S | CL1/16S |
| CR3/32S | CL3/32S |
| CR1/8S | CL1/8S |
| CR5/32S | CL5/32S |
| CR3/16S | CL3/16S |
| CR1/4S | CL1/4S |
| CR5/16S | CL5/16S |
| CR3/8S | CL3/8S |
| CR1/2S | CL1/2S |

ADJUSTABLE PRESSET FOOT (EASY OPPERATE DON'T STOP)

P351KS





COMPENSATING FEET(DOUBLE)



CD3/16 DOUBLE
 CDN-00 (230)
 CD-00 (23)
 CD-10 (1.0mm)
 CD-15 (1.5mm)
 CD-20 (2.0mm)
 CDN-1/32(D23N)
 CD-1/32 (D23)
 CDN-1/16(D231N)
 CD-1/16 (D231)
 CD-1/8 (D232)
 CD-3/16 (D233)
 CD-1/4 (D234)

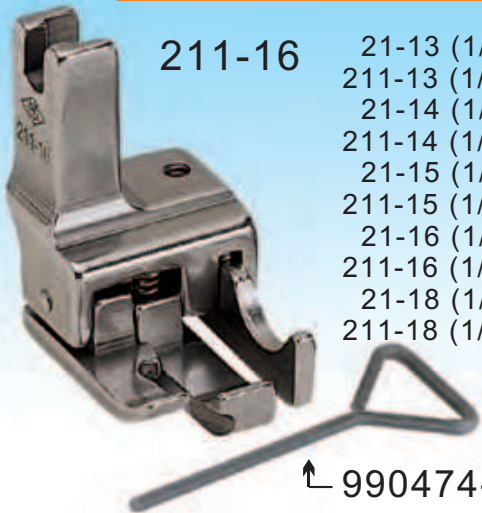
23-14-24 DOUBLE



23-13-23
 (1/32 -3/16-3/16)
 231-13-23
 (1/16 -3/16-3/16)
 23-14-24
 (1/32 -1/4-1/4)
 231-14-24
 (1/16-1/4-1/4)
 23-15-25
 (1/32-5/16-5/16)
 231-15-25
 (1/16-5/16-5/16)

990474-0-01

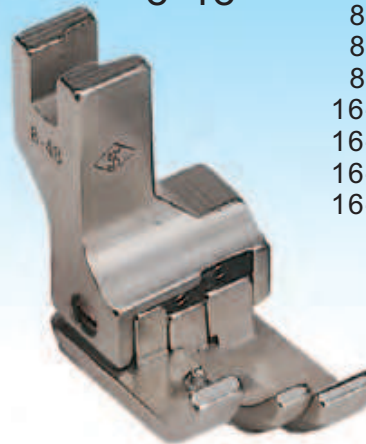
DUAL COMPENSATING FEET



211-16
 21-13 (1/32x3/16)
 211-13 (1/16x3/16)
 21-14 (1/32x1/4)
 211-14 (1/16x1/4)
 21-15 (1/32x5/16)
 211-15 (1/16x5/16)
 21-16 (1/32x3/8)
 211-16 (1/16x3/8)
 21-18 (1/32x1/2)
 211-18 (1/16x1/2)

↑ 990474-0-01

8-48



8-32(1/32-1/8)
 8-48(1/32-3/16)
 8-64(1/32-1/4)
 8-80(1/32-5/16)
 16-32(1/16-1/8)
 16-48(1/16-3/16)
 16-64(1/16-1/4)
 16-80(1/16-5/16)



PRESSER FOOT WITH GUIDE



SP18-1/4

SP18-1/32
 SP18-1/16
 SP18-3/32
 SP18-1/8
 SP18-3/16
 SP18-1/4
 SP18-5/16
 SP18-3/8



SP18L-1/4

SP18L-1/32
 SP18L-1/16
 SP18L-3/32
 SP18L-1/8
 SP18L-3/16
 SP18L-1/4
 SP18L-5/16
 SP18L-3/8



COMPENSATING TEFLON FEET (LIGHT)



RF1/16NK

RF1/32NK (PF210)
 RF1/16NK (PF211N)
 RF1/32K (PF21R)
 RF1/16K (PF211R)
 RF3/32K (PF2111/2)
 RF1/8K (PF212R)
 RF5/32K (PF212 1/2)
 RF3/16K (PF213R)
 RF1/4K (PF214R)
 RF5/16K (PF215R)
 RF3/8K (PF216R)
 RF1/2K (PF218R)

薄物(LIGHT)



LF1/16NK

LF1/32NK (PF220L)
 LF1/16NK (PF221N)
 LF1/32K (PF22L)
 LF1/16K (PF221L)
 LF3/32K (PF221 1/2)
 LF1/8K (PF222L)
 LF5/32K (PF222 1/2)
 LF3/16K (PF223L)
 LF1/4K (PF224L)
 LF5/16K (PF225L)
 LF3/8K (PF226L)
 LF1/2K (PF228L)

薄物(LIGHT)

COMPENSATING TEFLON FEET (REGULAR)



RF1/16N

RF1/32N
 RF1/16N
 RF1/32
 RF1/16
 RF3/32
 RF1/8
 RF5/32
 RF3/16
 RF1/4
 RF5/16
 RF3/8
 RF1/2



LF1/16N

LF1/32N
 LF1/16N
 LF1/32
 LF1/16
 LF3/32
 LF1/8
 LF5/32
 LF3/16
 LF1/4
 LF5/16
 LF3/8
 LF1/2

COMPENSATING TEFLON FEET (REGULAR)



RF15N

RF-10N-1.0mm
 RF-15N-1.5mm
 RF-10 -1.0mm
 RF-15 -1.5mm
 RF-20 -2.0mm
 RF-25 -2.5mm
 RF-30 -3.0mm
 RF-40 -4.0mm
 RF-50 -5.0mm
 RF-60 -6.0mm
 RF-65 -6.5mm
 RF-70 -7.0mm
 RF-80 -8.0mm
 RF-90 -9.0mm
 RF-100 -10 mm
 RF-120 -12 mm
 RF-130 -13 mm



LF15N

LF-10N-1.0mm
 LF-15N-1.5mm
 LF-10 -1.0mm
 LF-15 -1.5mm
 LF-20 -2.0mm
 LF-25 -2.5mm
 LF-30 -3.0mm
 LF-40 -4.0mm
 LF-50 -5.0mm
 LF-60 -6.0mm
 LF-65 -6.5mm
 LF-70 -7.0mm
 LF-80 -8.0mm
 LF-90 -9.0mm
 LF-100 -10 mm
 LF-120 -12 mm
 LF-130 -13 mm



TEFLON HINGED RASING FEET

CF811 RIGHT



- CF810 -1/32
- CF811 -1/16
- CF8115-3/32
- CF812 -1/8
- CF813 -3/16
- CF814 -1/4
- CF815 -5/16
- CF816 -3/8
- CF818 -1/2

CF811L LEFT



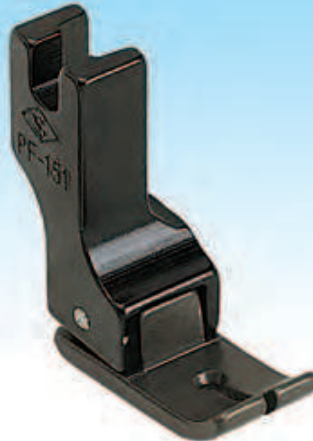
- CF810L -1/32
- CF811L -1/16
- CF8115L- 3/32
- CF812L -1/8
- CF813L -3/16
- CF814L -1/4
- CF815L -5/16
- CF816L -3/8
- CF818L -1/2

TEFLON FEET (LIGHT W/TAIL)



- SIZE
- PF-231-HEAVY (CF-231-HEAVY)
 - PF-241-MEDIUM (CF-241-MEDIUM)
 - PF-251-LIGHT (CF-251-LIGHT)

TEFLON FEET (LIGHT WITHOUT TAIL)



- SIZE
- PF-131-HEAVY (CF-131-HEAVY)
 - PF-141-MEDIUM (CF-141-MEDIUM)
 - PF-151-LIGHT (CF-151-LIGHT)

TEFLON FEET (LIGHT)

PFK161 (CFK161)



- SIZE
- PFK-161-LIGHTEST (CFK-161-LIGHTEST)
 - PFK-261-LIGHTEST W/TAIL (CFK-261-LIGHTEST W/TAIL)



SOLID THE CLOTH
PROOF MOTION

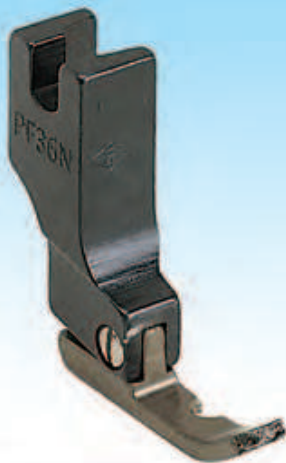
TEFLON FOOT (LINE ON THE CENTER EDGE GUIDE)

PF00 (CF00)





TEFLON FEET (ZIPPER)



SIZE

CF36N	-4.6mm
CF363	-4.8mm
CF363V	-4.8mm
CF363VNF	-4.8mm
CF3CH	-4.8mm
CF3CSH	-4.8mm
CF36	-8mm
CF361	-8mm
CF36W	-10mm



SIZE

CF36LN	-4.6mm
CF36L	-8mm
CF360	-8mm
CF58N	-8mm
CF36LW	-10mm
CF35	-11mm
CF351	-11mm
CF351W	-12.7mm

TEFLON INVISIBLE FOOT



PF518N
(CF518N)



PF518L
(CF518L)

HINGED RASING FEET



P811 RIGHT

P810	(12463H 1/32)
P811	(12463H 1/16)
P8115	(12463H 3/32)
P812	(12463H 1/8)
P813	(12463H 3/16)
P814	(12463H 1/4)
P815	(12463H 5/16)
P816	(12463H 3/8)
P818	(12463H 1/2)



P811L LEFT

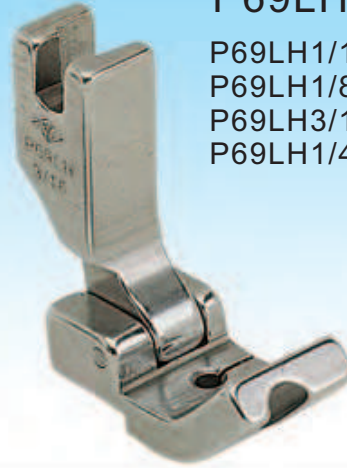
P810L	(L12463H1/32)
P811L	(L12463H 1/16)
P8115L	(L12463H 3/32)
P812L	(L12463H1/8)
P813L	(L12463H3/16)
P814L	(L12463H1/4)
P815L	(L12463H5/16)
P816L	(L12463H3/8)
P818L	(L12463H1/2)



HINGED PIPING FEET



P69RH-3/16 RIGHT
 P69RH1/16 (R36069H1/16)
 P69RH1/8 (R36069H1/8)
 P69RH3/16 (R36069H3/16)
 P69RH1/4 (R36069H1/4)



P69LH-3/16 LEFT
 P69LH1/16 (L36069H1/16)
 P69LH1/8 (L36069H1/8)
 P69LH3/16 (L36069H3/16)
 P69LH1/4 (L36069H1/4)

SPECIAL PIPING FEET



P31C1/4 RIGHT
 P31C1/8 (12435R 1/8)
 P31C3/16 (12435R 3/16)
 P31C1/4 (12435R 1/4)



P301C1/4 LEFT
 P301C1/8 (31358L1/8)
 P301C3/16 (31358L3/16)
 P301C1/4 (31358L1/4)

SPECIAL PIPING FEET



P69R3/8 RIGHT
 P69R1/16 (36069R 1/16)
 P69R1/8 (36069R 1/8)
 P69R3/16 (36069R 3/16)
 P69R1/4 (36069R 1/4)
 P69R3/8 (36069R 3/8)
 P69R1/2 (36069R 1/2)
 (26650R 1/8)



P69L3/8 LEFT
 P69L1/16 (36069L 1/16)
 P69L1/8 (36069L 1/8)
 P69L3/16 (36069L 3/16)
 P69L1/4 (36069L 1/4)
 P69L3/8 (36069L 3/8)
 P69L1/2 (36069L 1/2)
 (26650L 1/8)



DOUBLE PIPING FEET



P69D-1/4 (DOUBLE)

- P69D1/16 (36069DG 1/16)
- P69D1/8 (36069DG 1/8)
- P69D3/16 (36069DG 3/16)
- P69D1/4 (36069DG 1/4)
- (26650DG 1/8)

BINDER FOOT



P37

- P39 -PLAIN
- P37 -SMALLGROVE
- P37M-MED. GROVE
- P37W-LARGE GROVE

BINDER FEET



A10-01 (12142C)

- A10-01- 3/4
- A10-01-7/8
- A10-01-1"
- A10-01-1 1/8
- A10-01-1 1/4
- A10-01-1 3/8
- A10-01-1 1/2

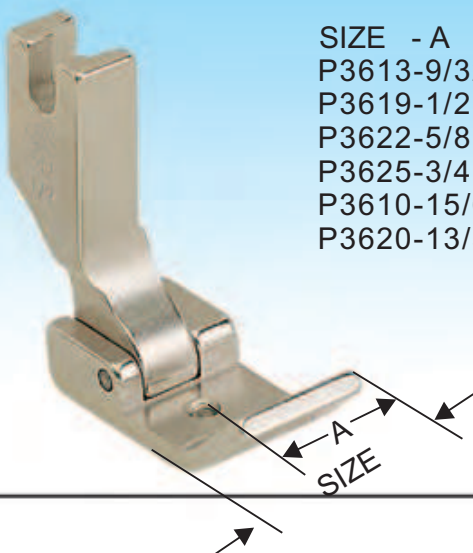
BINDER FOOT (HINGED)



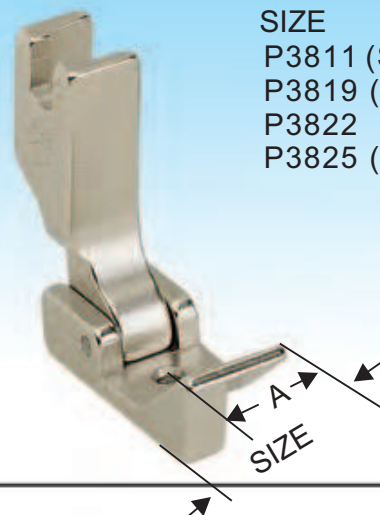
S70F 1/8

- S70F-1/16
- S70F-1/8
- S70F-3/16
- S70F-1/4
- S70F-5/16
- S70F-3/8
- S70F-1/2

HEMMING & FOLDING FEET



- SIZE - A
- P3613-9/32
- P3619-1/2
- P3622-5/8
- P3625-3/4
- P3610-15/64
- P3620-13/32



- SIZE - A
- P3811 (S538-1/4)
- P3819 (S539-1/2)
- P3822 (5/8)
- P3825 (S540-3/4)
- (S541-1"5/16)



HINGED BINDING FEET

NARROW

RIGHT
CHNR-1/32
(KR-1-1/32)
CHNR-1/16
(KR-1-1/16)
LEFT
CHNL-1/32
(KL-1-1/32)
CHNL-1/16
(KL-1-1/16)



520-4



COMPENSATING BINDING FEET

SIZE

CB 3/4 (601)
CB 1" (602)
CB 1-1/8 (603)
CB 1-1/4 (604)



HEMMING & FOLDING FEET

S543(CHN)



S544(CHW)



12142AHB



SR-1



SOLID FOLDING FEET

P311 (12143)



P33 (12142)



P34



P344





BINDING FOOT

P983
(25983)



S545
(P38)



SHIRRING FEET

P50

SIZE

P50N (120828N)

P50 (120828)

P50M (120828M)

P50H (120828H)



3 SCROLL HEMMER FT

2 1/2

SIZE

1 (160344-1/16)

1 1/2 (120802-1 1/2)

2 (120938-3/32)

2 1/2 (120803-1/8)

02 (1/8)

3 (120804-5/32)

4 (120805-3/16)

04 (3/16)

5 (120940-7/32)

6 (120806-1/4)

06 (1/4)



ELASTING SHIRRING FEET

A227

SIZE

A227-1/8 (S537-1/8)

A227-3/16 (S537-3/16)

A227-1/4 (S537-1/4)

A227-5/16 (S537-5/16)

A227-3/8 (S537-3/8)

A227-1/2 (S537-1/2)



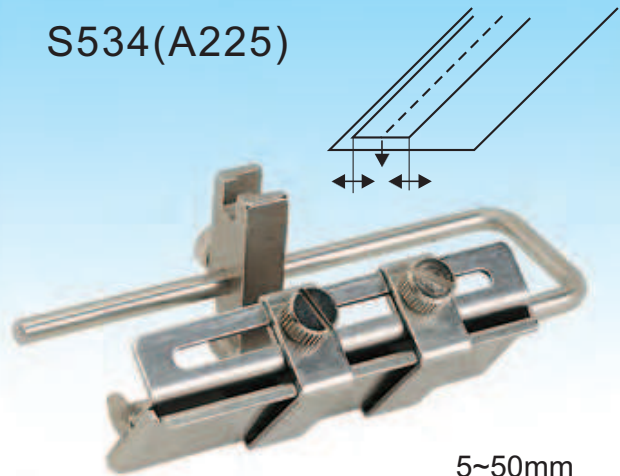
BINDER FEET

S532(P312SB)



ADJUSTABLE TAPE FEET

S534(A225)



5~50mm

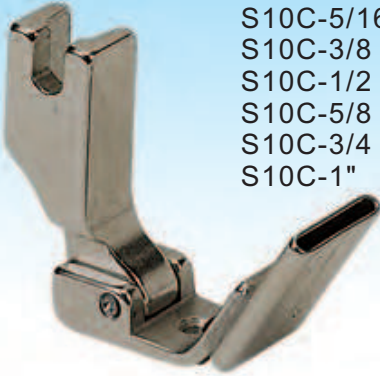


HINGED TUBE FEET

S10C-1/2

SIZE(CENTER)

- S10C-1/8 (P318C 1/8)
- S10C-3/16 (P3316C 3/16)
- S10C-1/4 (P314C 1/4)
- S10C-5/16 (P3516C 5/16)
- S10C-3/8 (P338C 3/8)
- S10C-1/2 (P312C 1/2)
- S10C-5/8 (P358C 5/8)
- S10C-3/4 (P334C 3/4)
- S10C-1" (P325C1")



S10R-1/2

SIZE(RIGHT)

- S10R-1/8 (P318R 1/8)
- S10R-3/16 (P3316R 3/16)
- S10R-1/4 (P314R 1/4)
- S10R-5/16 (P3516R 5/16)
- S10R-3/8 (P338R 3/8)
- S10R-1/2 (P312R 1/2)
- S10R-5/8 (P358R 5/8)
- S10R-3/4 (P334R 3/4)
- S10R-1" (P325R1")



HINGED TUBE FEET

S10L-1/2

SIZE(LEFT)

- S10L-1/8 (P318L1/8)
- S10L-3/16 (P3316L 3/16)
- S10L-1/4 (P314L1/4)
- S10L-5/16 (P3516L 5/16)
- S10L-3/8 (P338L3/8)
- S10L-1/2 (P312L1/2)
- S10L-5/8 (P358L5/8)
- S10L-3/4 (P334L3/4)
- S10L-1" (P325L1")



TOP STITCH FEET

P14

SIZE

- P10 (36465-1/32)
- P11 (36465-1/16)
- P115 (36465-3/32)
- P12 (36465-1/8)
- P13 (36465-3/16)
- P14 (36465-1/4)
- P15 (36465-5/16)
- P16 (36465-3/8)
- P18 (36465-1/2)
- P01 (36464N)(P10~P14)
- P01W (36464W)(P15~18)



SHIRRING FEET

S952(P952)



S950(P950)



P5R



P5W





SOLID ZIPPER FEET

S530S



S531L



P3
(165010)



P3C
(40322)



SOLID ZIPPER FEET

P3CS
(40322CS)



P311N
(12435N)



P301N
(31358N)



P31
(12435W)



ZIPPER FEET

P301
(31358W)



P363V
(165010H)



P363
(40322SH)



P36N
(12435HN)





HINGED ZIPPER FEET			SOLID CONCEALED ZIPPER FEET (PLASTIC)
<p>P36 (12435HW)</p> 	<p>P36W (12435HXW)</p> 	<p>D36NH DOUBLE</p> 	<p>2CJ1(尖) (NP-63P-2)</p>  <p>WHITE/WITH FRONT GUIDE</p>
HINGED ZIPPER FEET			SOLID CONCEALED ZIPPER FEET (PLASTIC)
<p>P36LN (31358HN)</p> 	<p>P36L (31358HW)</p> 	<p>D36H DOUBLE</p> 	<p>3CJ1(平) (NP-63P-1)</p>  <p>GREEN</p>
HINGED ZIPPER FEET			ZIPPER FOOT
<p>P36LW (31358HXW)</p> 	<p>P360 (121947H)</p> 	<p>P361 (121905H)</p> 	<p>S510 ENTER GUIDE FOOT</p> 



HINGED INVISIBLE ZIPPER FEET

S518L



S518N-G
S518N



S518NE



S518 **SIZE**
S518-2.0mm
S518H-2.5mm



INVISIBLE ZIPPER FEET

S518S



S518A



P946
(121946)



P58N
(142058N)



P58W
(142058W)



P144H
(12144H)

SIZE
P144H
(12144H)
P144HL
(12144HLD)
P144HLB
(12144HLB)



P35
(24983)



P35K
(24983K)



LIGHT (薄物用)



HINGED STANDARD FOOT

P351 (52427)



P352



P351K



LIGHT
(薄物用)

P193
(19336)



QUILTER & GUIDE FEET

S524
7/32"~1"



P81
(S523)
1/32"~3/4"



P801
1/32"~3/4"

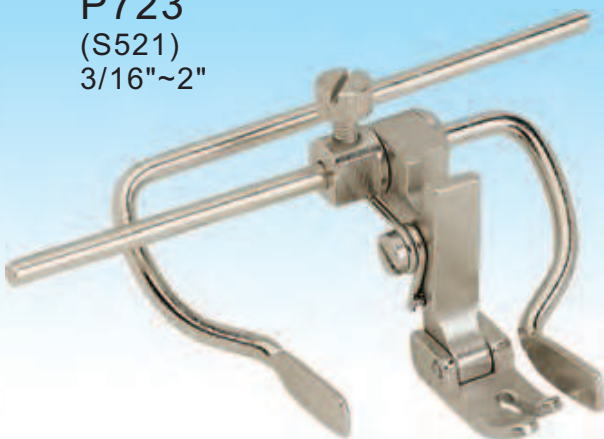


P803
3/16"~7/8"



QUILTER & GUIDE FEET

P723
(S521)
3/16"~2"



HINGE FOOT

113280
(113280-0-01)



150384-0-01

150789
(150789-0-01)





FOOT FOR COLLARS & BACK BINDINGS
SOLID BLANK FOOT

SOLID BLANK FEET

147308(ART.570)



SP-44



SP-60
(S402)



SP-61
(S801)



SOLID BLANK FEET

SP-62
(S802)



SP-63
(S803)



SP-64
(S804)



SP-65
(S400)



STANDARD FEET

QUILTER FEET

HINGED PRESSER FEET
(HEAVY W/GUARD)

HINGED PRESSER FEET

P127
(127233)



厚物用HEAVY

160342



B1511
-543-BBA



特厚物用 MORE HEAVY

B1524
-522-NBO-A



SIZE
1/8



STANDARD HINGED FEET

B1524-012-OAO



B1524-012-BBA



B1524-012-OBO



B1524-012-OOC

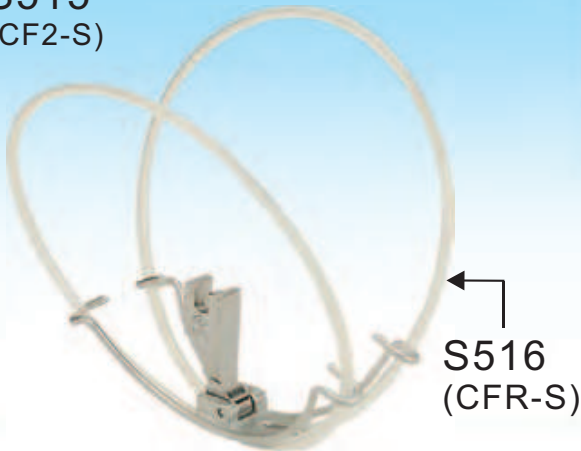
51742-G
51742
(91-051742-03)



SIZE
1.8mm
2.2mm

NYLON RING FOOT

S515
(CF2-S)



S516
(CFR-S)

SR-DB-W
(TRF-1)



SR-DB-H
(TRF-1-R)

NYLON RING FOOT

SR-DB-R



SR-DB-L





KAPEX®

ZALOŽENÉ 1992

ROLLER PRESSER FOOT

SDRF



ROLLER FEET

SPK-3



ROLLER FEET WITH GUIDE



(RIGHT)
SIZE
R-810 1/32
R-811 1/16
R-812 1/8
R-813 3/16
R-814 1/4
R-815 5/16

NEW



(LEFT)
SIZE
R-810L 1/32
R-811L 1/16
R-812L 1/8
R-813L 3/16
R-814L 1/4
R-815L 5/16

NEW

ROLLER FEET

R2E



ROLLER FEET (SPECIAL)

R-3



NEW

SIZE
R-1 LIGHT
(HM1-1)
R-2 MEDIUM
(HM1-2)
R-3 HEAVY
(HM1-3)

ROLLER FEET (SPECIAL)

R-36N SIZE

R-36N (HM2-3)	5mm
R-36 (HM2-1)	8mm
R-36W	10mm
R-361 (HM1-4)	8mm




R-36LN SIZE



R-36LN (HM2-4)	5mm
R-36L (HM-2-2)	8mm
R-36LW	10mm
R-360	8mm




ROLLER COMPENSATING FEET (SPECIAL)

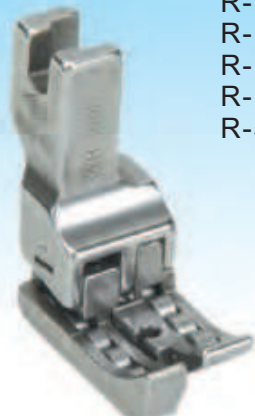

R-1/16R SIZE

R-1/32RN(HM1/32)	R-1/8R (HM1/8)
R-1/16RN(HM1/16)	R-5/32R (HM5/32)
R-1/32R (1/32)	R-3/16R (HM3/16)
R-1/16R (1/16)	R-1/4R (HM1/4)
R-5/64R (HM5/64)	R-5/16R (HM5/16)
R-3/32R (HM3/32)	

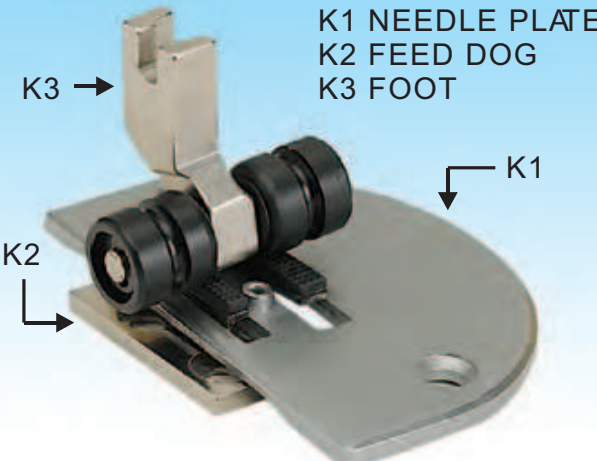
R-1/16L SIZE

R-1/32LN	R-3/32L
R-1/16LN	R-1/8L
R-1/32L	R-3/16L
R-1/16L	R-1/4L
R-5/64L	R-5/16L

ROLLER FOOT

K1 NEEDLE PLATE
K2 FEED DOG
K3 FOOT



CHAIN CUT-OFF FEET

S536

手拉式切線裝置
(MANUL)





DOMESTIC HEMMER FEET

H15SH
(2858)

SIZE
2.0mm
2.5mm
3.0mm
4.0mm



DOMESTIC PIPING FEET

H15-69HL

SIZE
1/8 -3.2mm
3/16 -4.8mm
1/4 -6.4mm



DOMESTIC Z-Z FEET

H15Z



COMPENSATING FEET FOR DOMESTIC MACHINES

H15

SIZE
H10-1.0MM
H15-1.5MM (ART.1926/1)
H20-2.0MM
H25-2.5MM (ART.1926/2)
H30-3.0MM (ART.1926/3)
H40-4.0MM (ART.1926/4)
H50-5.0MM (ART.1926/5)
H60-6.0MM (ART.1926/6)



Z/Z DOUBLE COMPENSATING FEET

H15ZZ
(ART. 1929)

SIZE
3.0MM
6.0MM



UNION SPECIAL COMPENSATING FEET

SIZE
US31 -1/32
US311 -1/16
US312 -1/8
US313 -3/16
US314 - 1/4



UNION SPECIAL HINGED FEET

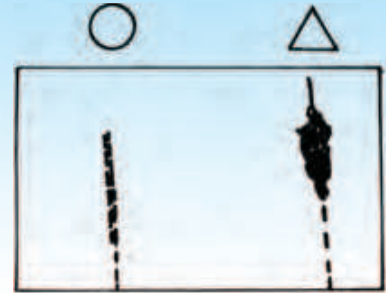
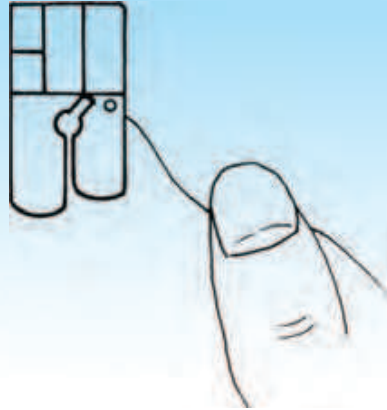
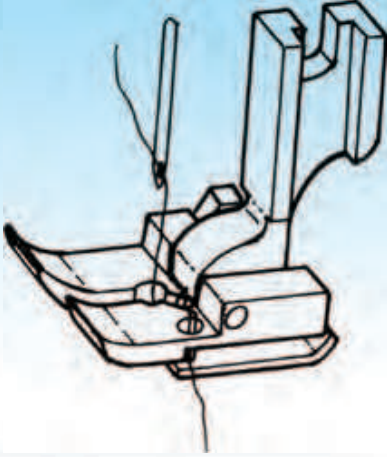
SIZE
61220J
61220P
61320J
US12435HN
US12435HW
US31358HN
US31358HW
US40322SH





MANUL INVISIBLE BLADE FOOT (CUTTER THREAD)

YS-37 (NP-37)



SPECIAL DESIGN FOOT (CUTTER THREAD)



(W/TAIL)
368611



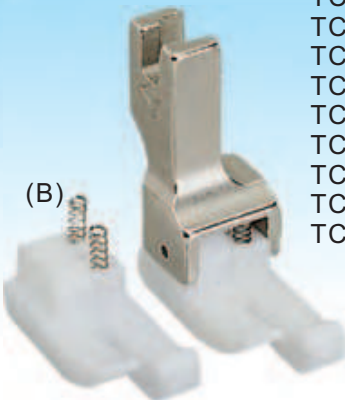
(W/O TAIL)
368607



TEFLON COMPENSATING FOOT

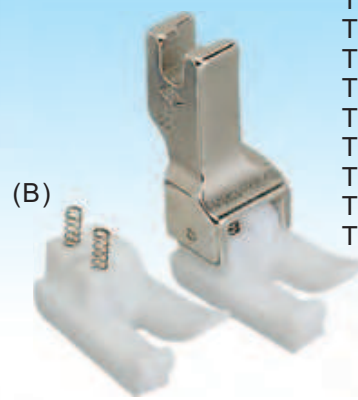
SIZE(RIGHT)

TCR1/32N(MT210)-B
TCR1/16N(MT211N)-B
TCR1/32 (MT21R)-B
TCR1/16 (MT211)-B
TCR3/32 (MT2111/2)-B
TCR1/8 (MT212)-B
TCR3/16 (MT213)-B
TCR1/4 (MT214)-B
TCR5/16 (MT215)-B
TCR3/8 (MT216)-B
TCR1/2 (MT218)-B



SIZE(LEFT)

TCL1/32N (MT-220)-B
TCL1/16N (MT-221N)-B
TCL1/32 (MT22)-B
TCL1/16 (MT221)-B
TCL3/32 (MT221 1/2)-B
TCL1/8 (MT222)-B
TCL3/16 (MT223)-B
TCL1/4 (MT224)-B
TCL5/16 (MT225)-B
TCL3/8 (MT226)-B
TCL1/2 (MT228)-B





TEFLON FOOT

T350
T350B



T35
T35B



T35W
T35WB



T35C
T35CB



TEFLON FOOT

T35CW
T35CWB



T363
T363B



T36N
T36NB



T36
T36B



TEFLON FOOT

T36LN
T36LNB



T36L
T36LB



MT-1
MT-2

(MT-2)



24983T





QUILTER & GUIDE FEET

P35G



可以調整左.右擋邊尺寸
CAN ADJUSTABLE THE SIZE OF
BOTH SIDE ON THE EGDE

TEFLON FEET

NT-18

NT-18B



**HINGED FEET
FOR NEEDLE FEED
MACHINE**

(SINGLE NEEDLE)

PAFF 461 ; 481
DURKOPP CL.272
JUKI DLM-522 ALL USED
(PAGE 24-29)

NEEDLE FEED COMPENSATING FOOT PFAFFCL.461,481 DURKOPP CL.272



SIZE(RIGHT)

- 210- NF(NARROW-1/32)
- 211N- NF(NARROW-1/16)
- 21R- NF(ART.1649/2-1/32)
- 211- NF(ART.1649/4-1/16)
- 20R- NF(5/64)
- 25R- NF(3/32)
- 212- NF(ART.1649/6-1/8)
- 213- NF(ART.1649/8-3/16)
- 214- NF(ART.1649/10-1/4)
- 215- NF(ART.1649/12-5/16)
- 216- NF(ART.1649/14-3/8)
- 218- NF(ART.1649/16-1/2)



SIZE(LEFT)

- 220- NF(NARROW-1/32)
- 221N- NF(NARROW-1/16)
- 22L- NF(ART.1649/1-1/32)
- 221- NF(ART.1649/3-1/16)
- 20L- NF(5/64)
- 25L- NF(3/32)
- 222- NF(ART.1649/5-1/8)
- 223- NF(ART.1649/7-3/16)
- 224- NF(ART.1649/9-1/4)
- 225- NF(ART.1649/11-5/16)
- 226- NF(ART.1649/13-3/8)
- 228- NF(ART.1649/15-1/2)

COMPENSATING FEET FOR KNIT

**USE ON THICKNESS OF FABRICS THE SIDE SCREW
CAN EASY HOLD THE GUIDE ,SO THE CLOTH CAN SMOOTHLY**



SIZE(STRENGTH)

- 210S- NF(NARROW-1/32)
- 211NS- NF(NARROW-1/16)
- 21RS- NF(ART.1649/2-1/32)
- 211S- NF(ART.1649/4-1/16)
- 20RS- NF(5/64)
- 25RS- NF(3/32)
- 212S- NF(ART.1649/6-1/8)
- 213S- NF(ART.1649/8-3/16)
- 214S- NF(ART.1649/10-1/4)
- 215S- NF(ART.1649/12-5/16)
- 216S- NF(ART.1649/14-3/8)
- 218S- NF(ART.1649/16-1/2)



SIZE(STRENGTH)

- 220S- NF(NARROW-1/32)
- 221NS- NF(NARROW-1/16)
- 22LS- NF(ART.1649/1-1/32)
- 221S- NF(ART.1649/3-1/16)
- 20LS- NF(5/64)
- 25LS- NF(3/32)
- 222S- NF(ART.1649/5-1/8)
- 223S- NF(ART.1649/7-3/16)
- 224S- NF(ART.1649/9-1/4)
- 225S- NF(ART.1649/11-5/16)
- 226S- NF(ART.1649/13-3/8)
- 228S- NF(ART.1649/15-1/2)



NEEDLE FEED W/GUIDE HINGED FEET



SIZE(RIGHT)
 SP18-NF 1/32 = 1.0mm
 SP18-NF 1/16 = 1.6mm
 SP18-NF 3/32 = 2.4mm
 SP18-NF 1/8 = 3.2mm
 SP18-NF 3/16 = 4.8mm
 SP18-NF 1/4 = 6.4mm
 SP18-NF 5/16 = 8.0mm
 SP18-NF 3/8 = 9.6mm



SIZE(LEFT)
 SP18L-NF 1/32=1.0mm
 SP18L-NF 1/16=1.6mm
 SP18L-NF 3/32=2.4mm
 SP18L-NF 1/8 =3.2mm
 SP18L-NF 3/16=4.8mm
 SP18L-NF 1/4 =6.4mm
 SP18L-NF 5/16=8.0mm
 SP18L-NF 3/8 =9.6mm



NEEDLE FEED W/GUIDE HINGED FEET



SIZE(RIGHT)
 P810-NF 1/32 = 1.0mm
 P811-NF 1/16 = 1.6mm
 P812-NF 1/8 = 3.2mm
 P813-NF 3/16 = 4.8mm
 P814-NF 1/4 = 6.4mm
 P815-NF 5/16 = 8.0mm
 P816-NF 3/8 = 9.6mm



SIZE(LEFT)
 P820-NF 1/32 =1.0mm
 P821-NF 1/16 =1.6mm
 P822-NF 1/8 = 3.2mm
 P823-NF 3/16 = 4.8mm
 P824-NF 1/4 = 6.4mm
 P825-NF 5/16 = 8.0mm
 P826-NF 3/8 = 9.6mm



NEEDLE FEED PIPING HINGED FEET



SIZE(RIGHT)
 P69RH-NF 1/8
 P69RH-NF 3/16
 P69RH-NF 1/4
 P69RH-NF 5/16



SIZE(LEFT)
 P69LH-NF 1/8
 P69LH-NF 3/16
 P69LH-NF 1/4
 P69LH-NF 5/16



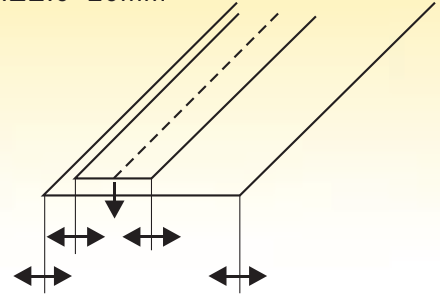


NEEDLE FEED ADJUSTABLE W/GUIDE FEET

G10-NF



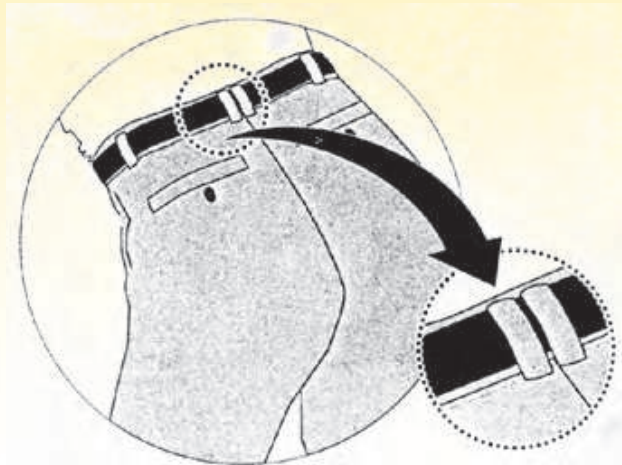
- 1. 可以調整左·右擋邊尺寸.
- 2. 車縫布條·可調整大小·0~20mm
- 1. CAN ADJUSTABLE THE SIZE OF BOTH SIDE ON THE EDGE.
- 2. SEAM CLOTH CAN ADJUSTABLE THE TAPE SIZE. 0~20mm



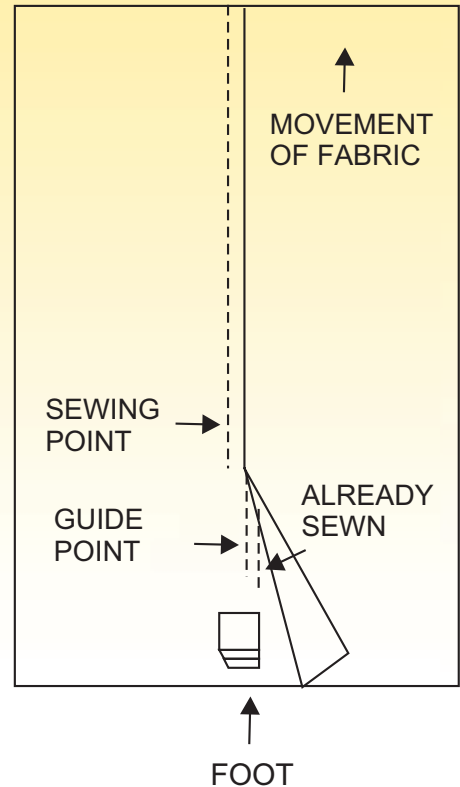
NEEDLE FEED ADJUSTABLE W/GUIDE FEET

NR31G-NF

NL31G-NF



CONCEALED SEAM FOR SKIRTS OF SLACKS





NEEDLE FEED ZIPPER FEET

P35G-NF



可以調整左、右擋邊尺寸。
CAN ADJUSTABLE THE SIZE
OF BOTH SIDE ON THE EGDE.

NEEDLE FEED ROLLER FEET

R-351-NF



NEEDLE FEED W/QULTER GUIDE

P723-NF



5~50mm

NEEDLE FEED ZIPPER FEET

P363-NF (S363-NF)
(ART.1680)



5.4mm

SIZE
P363-NF
5.4mm

P363W-NF
7.0mm
(ART.1688)

P36N-NF (S5000N)
(ART.1684)



5.0mm

P36-NF (S8000N)
(ART.1690)



8.0mm

P361-NF
(S6020N)



8.0mm

NEEDLE FEED ZIPPER FEET

P351N-NF



9mm

P36LN-NF (S0050N)
(ART.1683)



5.0mm

P36L-NF (S0080)
(ART.1689)



8.0mm

P360-NF (S2060N)



8.0mm



NEEDLE FEED FEET

P351-NF
(S351NF)



11mm

P127-NF
(ART.6643)



12mm

P127WK-NF



14mm

LIGHT
薄物用

P127W-NF
(ART.6644)



14mm

NEEDLE FEED FEET

S518N-NF
(ART.1526/1)



P363VNF



5.0mm

P27
(S5050N)
(149027)
(149085)



12142AHBNF



NEEDLE FEED FEET

B1524-041-EAO



B1524-412-OAO



B1524-412-OBO
(410916)



B1524-415-BBA





NEEDLE FEED FEET PFAFF CL.461;481 DURKOPPCL.272 JUKIDLM-522

P36D-NF
(ART.6648)
DOUBLE



7mm

S518-NF
(ART.1525/1)



140717-NF
(140717-0-01)
(503541)



MT1-NF
(ART.1602)



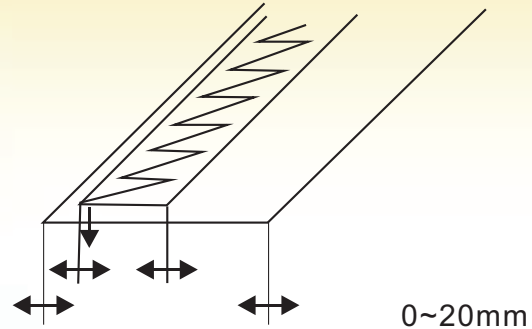
MT1-NFB ↗

NEED FEED ADJUSTABLE CLOTH GUIDE FOR NECCHI CL.881

NH-10G



1. 可以調整左.右擋邊尺寸.
2. 車縫布條.可調整大小0~20mm.
1. CAN ADJUSTABLE THE SIZE OF BOTH SIDE ON THE EDGE.
2. SEAM CLOTH CAN ADJUSTABLE THE TAPE SIZE. 0~20mm



COMPENSATORE FOOT FOR NECCHI CL.881

(LEFT)
NH8820 (ART.1626/1-1/32)
NH8821 (ART.1626/3-1/16)
NH8821N-1/16(NARROW)



(RIGHT)
NH8810 (ART.1626/2-1/32)
NH8811 (ART.1626/4-1/16)
NH8811N-1/16(NARROW)
NH8812 (ART.1626/5-1/8)
NH8813 (ART.1626/6-3/16)
NH8814 (ART.1626/7-1/4)
NH8815 (ART.1626/8-5/16)
NH8816 (ART.1626/9-3/8)

NH36LN(ART.1647)



5.4mm



KAPEX®
ZALOŽENÉ 1992

PRESSER FEET FOR NECCHI CL.881

NH36N
(ART.1648)



5.4mm

NH363
(ART.1646)



5.4mm

NH35
(ART.1551)
(961789-3-00)



11mm

NH351



11mm

PRESSER FEET FOR NECCHI CL.881

NH351W
(ART.1522)
(961761-3-00)



12.7mm

NH127



13mm

NH127W



14mm

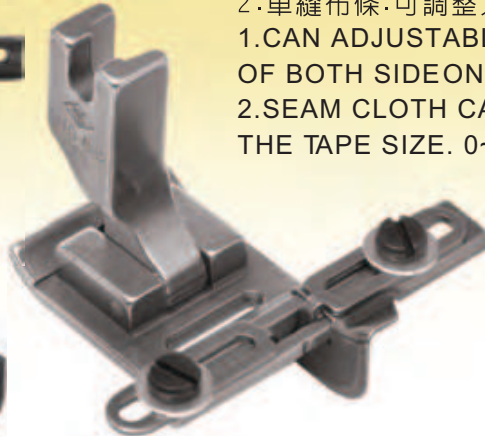
**THE PRODUCTS
INTRODUCE
AS BELOW**



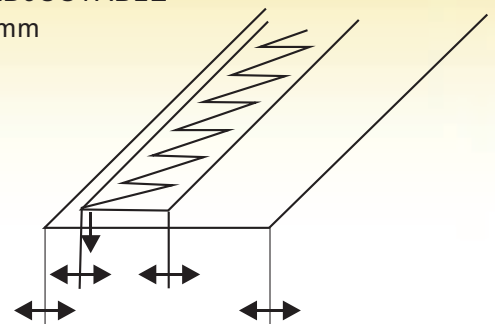
ZIG-ZAG HINGED FOOT
BROTHER 651.652
SINGER 20U
PFAFF 48 etc.

Z-Z MACHINE ADJUSTABLE CLOTH GUIDE FEET













G10-652




1. 可以調整左.右擋邊尺寸.
2. 車縫布條.可調整大小. 0~20mm
1. CAN ADJUSTABLE THE SIZE OF BOTH SIDE ON THE EGDE.
2. SEAM CLOTH CAN ADJUSTABLE THE TAPE SIZE. 0~20mm





Z-Z ROLLER FEET		Z-Z HEMMER FEET		ZIG-ZAG FEET			
<p>R-652</p>  <p>SIZE 6mm 12mm</p>		<p>652SH</p>  <p>SIZE 3mm 5mm</p>		<p>652-35 (ART.1468)</p>  <p>3mm</p>		<p>55112B-G (91-055112)</p>  <p>4.5mm</p>	
ZIG-ZAG FEET				ZIG-ZAG COMPENSATING FEET			
<p>54501 54501-G (91-054501-03C)</p>  <p>1/4(6.4mm)</p>		<p>230ZZ</p> <p>SIZE 3mm (ART.1629/3) 5mm (ART.1629/5)</p> 		<p>652RZ (ART.1699)</p> 		<p>652LZ (ART.1699/1)</p> 	
ZIG-ZAG FOOT							
<p>55106 55106-G (91-055106CX-10)</p>  <p>10mm</p>		<p>541566</p>  <p>10mm</p>		<p>541781</p>  <p>10mm</p>		<p>543939</p>  <p>12mm</p>	



ZIG-ZAG FOOT			說明如下 ACCOUNT AS BELOW
<p>MT541566</p>  <p>SIZE 5mm 12mm</p> <p>MT541566B</p>	<p>112800-0-01</p>  <p>5mm</p>	<p>111994-0-01</p>  <p>12mm</p>	

PFAFF MACHINE ADJUSTABLE CLOTH GUIDE PFAFF CL.141.138.238

PF10G

NEW







1.可以調整左.右擋邊尺寸.
2.車縫布條.可調整大小. 0~20mm

1.CAN ADJUSTABLE THE SIZE OF BOTH SIDE ON THE EDGE.
2.SEAM CLOTH CAN ADJUSTABLE THE TAPE SIZE. 0~20mm



PFAFF FEET CL.141;138;238

<p>611P</p>  <p>SIZE(RIGHT) 610NP1/32 (NARROW) 611NP1/16 (NARROW) 611P1/16 612P1/8 613P3/16 614P1/4</p>	<p>621P</p>  <p>SIZE(LEFT) 620NP1/32 (NARROW) 621P1/16</p>	<p>630P(DOUBLE)</p>  <p>SIZE 630P1/32 631P1/16</p>	<p>630ZZ(91-0511863-93)</p>  <p>SIZE 3mm 5mm</p>
---	--	---	--



PFAFF FEET CL.141;138;238

26473
(91-026473-05)



26474
(91-026474-05)



46682
(91-046682-03)



43522A
(91-043522-03)



PRESSER FEET FOR PFAFF CL142;1242;921;925

54926-1/4



SIZE
54926-3/16
(91-054926-03)
54926-1/4
(91-054926-03)
54926-9/32
(91-054926-03)

PF248



SIZE
PF248
30715-3-00mm4.8
PF260
961044-3-00mm6.0
PF264
961044-3-10mm6.4

PFG248



SIZE
PFG248(1.0mm)
(ART.1651/1-mm4.8-1.0mm)
PFG248(2.0mm)
(ART.1651/1-mm4.8-2.0mm)
PFG264(1.0mm)
(ART.1651/2-mm6.4-1.0mm)
PFG264(2.0mm)
(ART.1651/2-mm6.4-2.0mm)

PFR248



SIZE
PFR248
(ART.1628/1-mm4.8)
PFR264
(ART.1628/2-mm6.4)

PRESSER FEET FOR PFAFF CL.142;1242;921;925

PFD248



SIZE
PFD248
(ART.1639/1-mm4.8)
PFD264
(ART.1639/2-mm6.4)

COPENSATING FEET FOR NECCHI CL.831

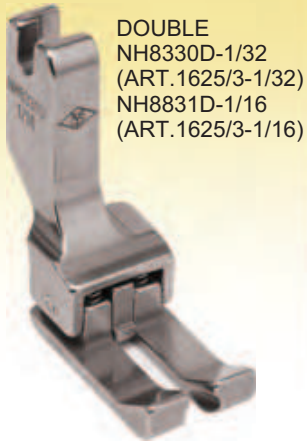


(LEFT)
NH8320 (ART.1625/1 -1/32) (NARROW)
NH8321 (ART.1625/4 -1/16)
(RIGHT)
NH8310 (ART.1625/2 -1/32) (NARROW)
NH8311N-1/16 (NARROW)
NH8311 (ART.1625/5 -1/16)
NH8312 (ART.1625/6 -1/8)
NH8313 (ART.1625/7 -3/16)
NH8314 (ART.1625/8 -1/4)
NH8315 (ART.1625/9 -5/16)
NH8316 (ART.1625/10 -3/8)



HINGED FEET FOR NEEDLE FEED MACHINE CL.831

NH8331D-1/16



DOUBLE
NH8330D-1/32
(ART.1625/3-1/32)
NH8831D-1/16
(ART.1625/3-1/16)

NH363-1

(ART.1643)



5.4mm

NH36N-1

(ART.1642)



5.4mm

NH36LN-1

(ART.1641)



5.4mm

HINGED FEET FOR NEEDLE FEED MACHINE CL.831

CL831-NF1

(ART.1615)



底部
CL831-NFB
(ART.1612/1)

NH36-1



7mm

NH36L-1



7mm

PFAFF CL.442

PF264-1

SIZE
PF248-1
(ART.1694/1 4.8mm)
PF264-1
(ART.1694/2 6.4mm)



PRESSER FOOT FOR PFAFF CL.442

PFG264-2R



SIZE
PFG248-1R
(ART.1695/1 4.8mm)
PFG248-2R
(ART.1695/2 4.8mm)
PFG264-1R
(ART.1696/1 6.4mm)
PFG264-2R
(ART.1696/2 6.4mm)

PFG264-2L



SIZE
PFG248-1L
(ART.1557/1 4.8mm)
PFG248-2L
(ART.1557/2 4.8mm)
PFG264-1L
(ART.1558/1 6.4mm)
PFG264-2L
(ART.1558/2 6.4mm)



PRESSER FOOT FOR NECCHI

CL.971;974;976

NH264N

SIZE
NH248N
(ART.1698/1 4.8mm)
NH264N
(ART.1698/2 6.4mm)



NH264H

SIZE
NH248H
(ART.6645/1 4.8mm)
NH264H
(ART.6645/2 6.4mm)
(HEAVY MATERIALS)



NH264

SIZE
NH248
(ART.1623/1 4.8mm)
(961799-3-00)
NH260
(ART.1623/2 6.0mm)
(961773-3-00)
Nh264
(ART.1623/3 6.4mm)
(961773-3-10)



NHG264H

SIZE
NHG248H
(ART.6646/1 4.8mm)
NHG264H
(ART.6646/2 6.4mm)
(HEAVY MATERIALS)



PRESSER FOOT FOR NECCHI CL.971;974;976

NHG264-2R

SIZE
NHG248-2R
(ART.1652/1 4.8mm)
NHG264-2R
(ART.1652/2 6.4mm)



NHR264

SIZE
NHR248
(ART.1627/1 4.8mm)
NHR264
(ART.1627/2 6.4mm)

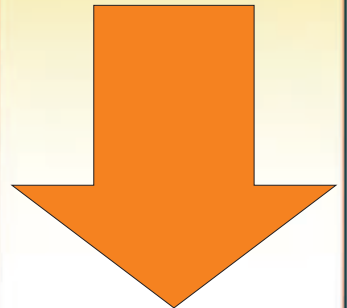


NHD264

DOUBLE
NHD248
(ART.1679/1 4.8mm)
NHD264
(ART.1679/2 6.4mm)



THE PRODUCTS
INTRODUCE
AS BELOW

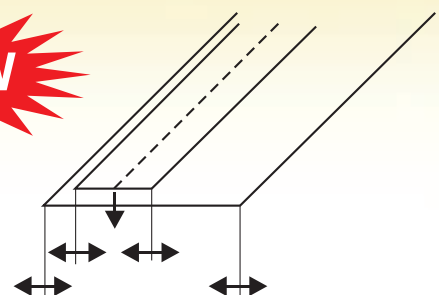


ADJUSTABLE CLOTH GUIDE FOR DURKOPP MACHINE DURKOPP CL.212

DK-10G



- 1.可以調整左.右擋邊尺寸.
- 2.車縫布條.可調整大小. 0~20mm
- 1.CAN ADJUSTABLE THE SIZE OF BOTH SIDE ON THE EDGE.
- 2.SEAM CLOTH CAN ADJUSTABLE THE TAPE SIZE. 0~20mm

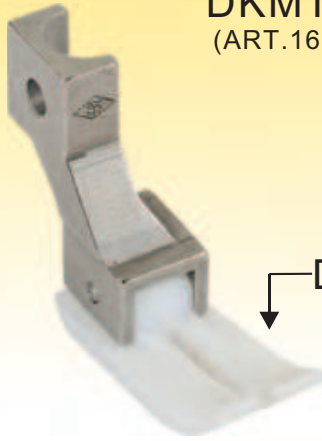




PRESSER FOOT FOR DURKOPP

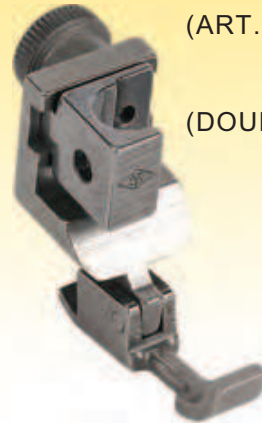
CL-212

DKMT-1
(ART.1603)



DKMT-1B

DK36D
(ART.6647)



(DOUBLE)

DK518N



DK518



Dk363
(ART.1623)



DK363W
(ART.1685)



DK36N
(ART.1682)



DK36
(ART.1687)



DK36LN
(ART.1681)



DK36L
(ART.1686)

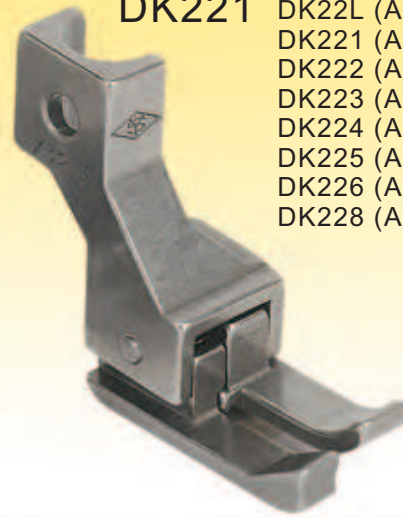




PRESSER FEET FOR DUOPP CL-212



DK211 DK21R (ART.1620/2 -1/32)
 DK211 (ART.1620/4 -1/16)
 DK212 (ART.1620/6 -1/8)
 DK213 (ART.1620/8 -3/16)
 DK214 (ART.1620/10-1/4)
 DK215 (ART.1620/12-5/16)
 DK216 (ART.1620/14-3/8)
 DK218 (ART.1620/16-1/2)



DK221 DK22L (ART.1620/1 -1/32)
 DK221 (ART.1620/3 -1/16)
 DK222 (ART.1620/5 -1/8)
 DK223 (ART.1620/7 -3/16)
 DK224 (ART.1620/9 -1/4)
 DK225 (ART.1620/11- 5/16)
 DK226 (ART.1620/13-3/8)
 DK228 (ART.1620/15- 1/2)



DK351
 (212-1193)
 (ART.1309)

7/16



DK127
 (212-903)
 (ART.6650)

33/64



DK127W
 (212-1643)
 (ART.1289)

35/64



DK127WK
 (212-887)
 (ART.1285)

35/64



DURKOPP W/GUIDE HINGED FEET

CL.212

DK821-1/16



SIZE
DK-820-1/32
DK-821-1/16
DK-822-1/8
DK-823-3/16
DK-824-1/4
DK-825-5/16



DK811-1/16



SIZE
DK-810-1/32
DK-811-1/16
DK-812-1/8
DK-813-3/16
DK-814-1/4
DK-815-5/16

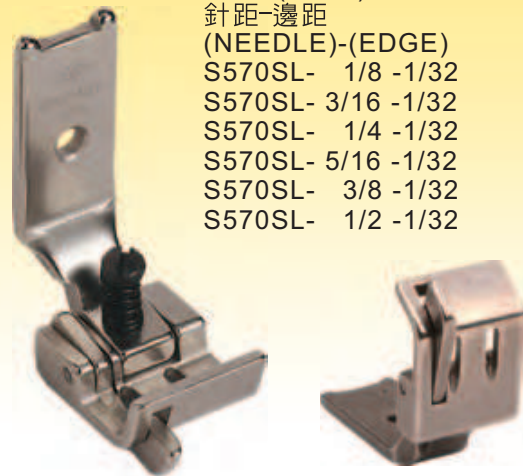


BRASSIERE FOOT W/GUIDE (THE CLOTH EASY PASS THROUGH)

SIZE(RIGHT)
針距-邊距
(NEEDLE)-(EDGE)
S570S- 1/8 -1/32
S570S- 3/16 -1/32
S570S- 1/4 -1/32
S570S- 5/16 -1/32
S570S- 3/8 -1/32
S570S- 1/2 -1/32

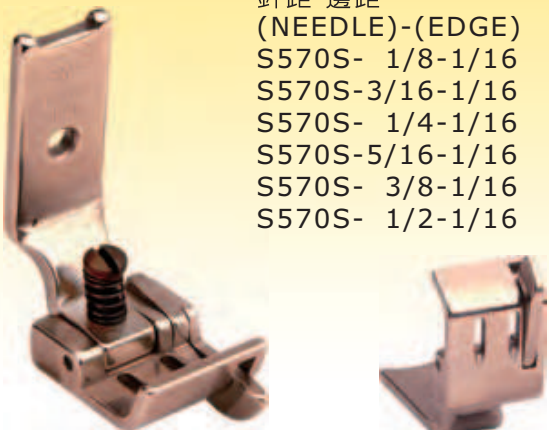


SIZE(LEFT)
針距-邊距
(NEEDLE)-(EDGE)
S570SL- 1/8 -1/32
S570SL- 3/16 -1/32
S570SL- 1/4 -1/32
S570SL- 5/16 -1/32
S570SL- 3/8 -1/32
S570SL- 1/2 -1/32

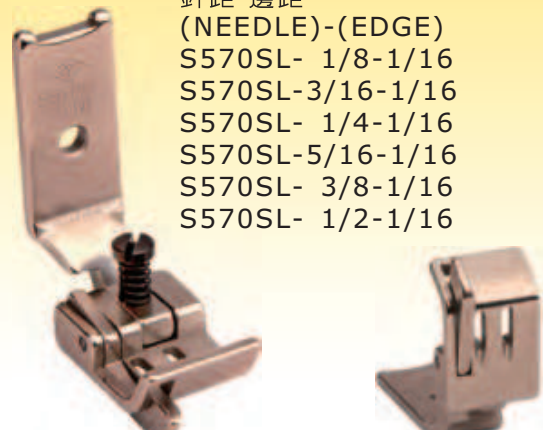


BRASSIERE FOOT W/GUIDE (THE CLOTH EASY PASS THROUGH)

SIZE(RIGHT)
針距-邊距
(NEEDLE)-(EDGE)
S570S- 1/8-1/16
S570S-3/16-1/16
S570S- 1/4-1/16
S570S-5/16-1/16
S570S- 3/8-1/16
S570S- 1/2-1/16



SIZE(LEFT)
針距-邊距
(NEEDLE)-(EDGE)
S570SL- 1/8-1/16
S570SL-3/16-1/16
S570SL- 1/4-1/16
S570SL-5/16-1/16
S570SL- 3/8-1/16
S570SL- 1/2-1/16





KAPEX[®]
ZALOŽENÉ 1992

BRASSIERE FOOT W/GUIDE (THE CLOTH EASY PASS THROUGH)



S570SD-1/4-1/32
SIZE(DOUBLE)
針距-邊距
(NEEDLE)-(EDGE)
S570SD-1/8 -1/32
S570SD-3/16-1/32
S570SD-1/4 -1/32



S570SD-1/4-1/16
SIZE(DOUBLE)
針距-邊距
(NEEDLE)-(EDGE)
S570SD-1/8 -1/16
S570SD-3/16-1/16
S570SD-1/4 -1/16

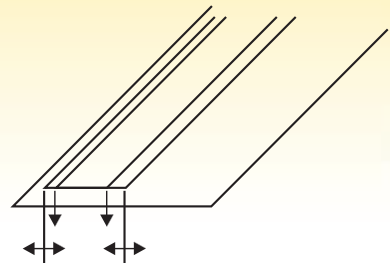


DOUBLE NEEDLE ADJUSTABLE EXTRA CLOTH GUIDE FEET

S570-A25



SIZE
S570-A25 1/8
S570-A25 3/16
S570-A25 1/4
S570-A25 5/16
調整式 5mm~50mm



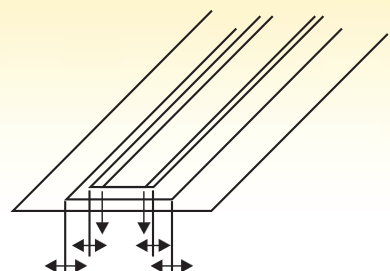
DOUBLE NEEDLE ADJUSTABLE CLOTH GUIDE FEET

G10-570

SIZE
G10-570 1/8
G10-570 3/16
G10-570 1/4
G10-570 5/16
G10-570 3/8



SIZE
1.可以調整左·右擋邊尺寸
2.車縫布條·可調整大小· 0~20mm
1.CAN ADJUSTABLE THE SIZE
OF BOTH SIDE ON THE EDGE
2.SEAM CLOTH CAN ADJUSTABLE
THE TAPE SIZE. 0~20mm

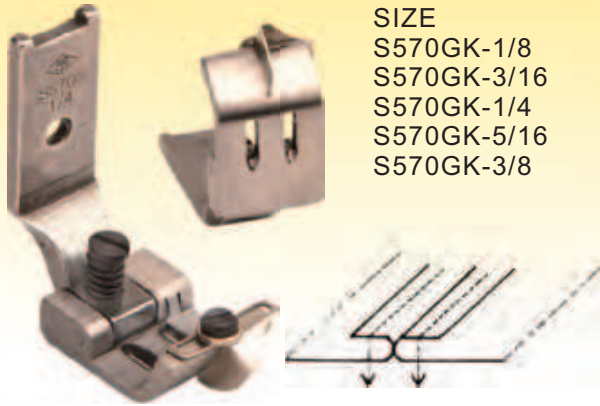




DOUBLE NEEDLE WITH REMOVABLE GUIDE FEET

NEW

可以調整左.右擋邊尺寸
CAN ADJUSTABLE THE SIZE
OF BOTH SIDE ON THE EGDE



SIZE
S570GK-1/8
S570GK-3/16
S570GK-1/4
S570GK-5/16
S570GK-3/8

DOUBLE ROLLER FOOT

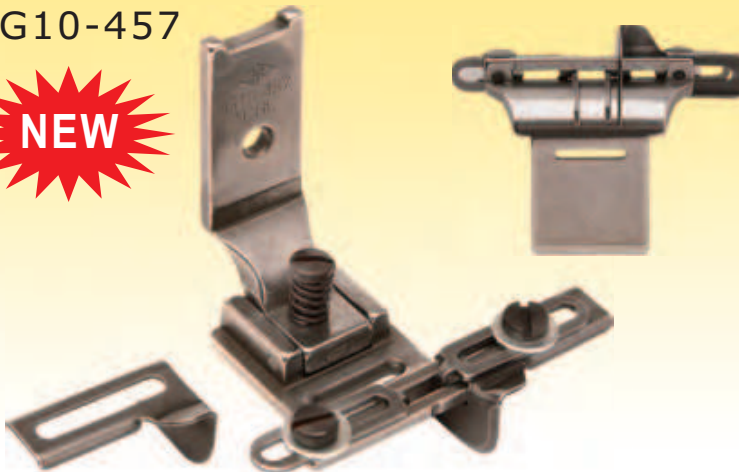
SIZE
(NEEDLE)-(OUTER WIDTH)
R-232-1/8 (HM7-1 1/8)
R-248-3/16 (HM7-1 3/16)
R-264-1/4 (HM7-1 1/4)
R-280-5/16 (HM7-1 5/16)
R-295-3/8 (HM7-1 3/8)



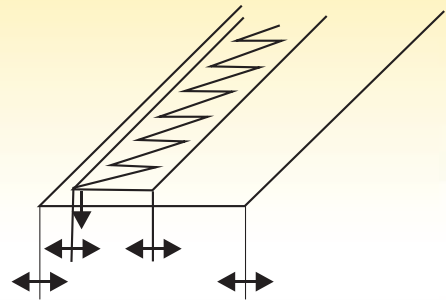
ZIG-ZAG MACHINE EDGE GUIDE ADJUSTABLE FEET

G10-457

NEW



1.可以調整左.右擋邊尺寸.
2.車縫布條.可調整大小0~20mm.
1.CAN ADJUSTABLE THE SIZE OF
BOTH SIDE ON THE EGDE.
2.SEAM CLOTH CAN ADJUSTABLE
THE TAPE SIZE. 0~20mm



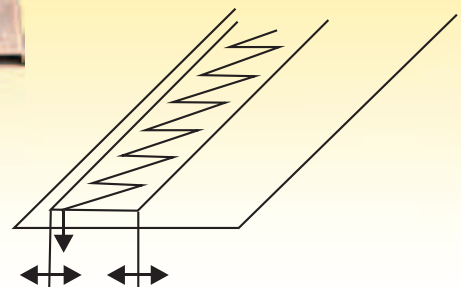
ZIG-ZAG MACHINE ADJUSTABLE EXTRA SIZE FEET

NEW

107-A25



5mm~50mm



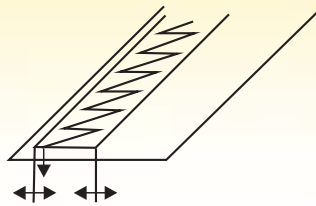


SINGER 457G; 457U; 107W ZIG-ZAG ADJUSTABLE FOOT

S457AT
(503896)



車縫布條.可調整大小
SEAM CLOTH CAN
ADJUSTABLE THE
TAPE SIZE
5mm~20mm

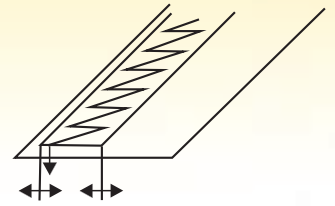


SINGER 457G; 457U; 107W ZIG-ZAG ADJUSTABLE FOOT

S457AT-G
(503896-G)



車縫布條.可調整大小
SEAM CLOTH CAN
ADJUSTABLE THE
TAPE SIZE
5mm~20mm



SINGER 457G; 457U; 107W ZZ REMOVE FEET

107GK



可以調整左.右擋邊尺寸
CAN ADJUSTABLE THE
SIZE OF BOTH SIDE ON
THE EGDE

ZIG-ZAG ELASTIC FEET



107CA
(23771S)

SIZE
107CA-6mm
107CA-8mm
107CA-10mm
107CA-12mm

ZIG-ZAG ROLLER FOOT

SIZE (針孔寬-外徑寬)
NEEDLE SIZE - OUTER WIDTH
R-457-1 7.5 -17.5(HM4-5)
R-457-2 10.5 -20.5(HM4-7)
R-457-3 12.5 -22.5
R-457-4 15 -23.5(HM4-3)



ZIG-ZAG TEFLON COATED FEET

(針孔寬-外徑寬)
NEEDLE SIZE - OUTER WIDTH
CF457-1 5.0 -10
CF457-2 7.5 -12
CF457-3 7.5 -14
CF457-4 10.5 -16
CF457-5 12.5 -19
CF457-6 14.5 -22.5





ZIG-ZAG PRESSER FOOT For 107W;457G;457U etc.

411314



503660



503736



THE THREAD ENTER
THE GROOVE ON
THE FRONT SECTION

SIZE- 針孔寬
(NEEDLE HOLE WIDTH)
411314-1 6.5mm
411314-2 7.5mm
411314-3 10.5mm
411314-4 12.5mm
411314-5 14.5mm



ZIG-ZAG PRESSER FOOT For 107W;457G;457U etc.

23705
(266125)



241414



107CR



107CL



COMPENSATING FEET FOR 107W;457G;457U

PF-A1R



RIGHT
PF-A1R

PF-A1L



LEFT
PF-A1L

521ZR



521ZL





ZIG-HEMMER FOOT

457SH-2.0mm
457SH-2.5mm
457SH-3.0mm
457SH-4.0mm
457SH-5.0mm



ZIG-PRESSER FOOT SINGER 111W; 211W FEET

P375
(241375)



3mm

P375BL



3mm

P882
(229882)



ZIG-ZAG EDGE GUIDE FEET For 107W;457G;457U

107SGR-2



107SGL-2



ZIG-ZAG EDGE GUIDE FEET FOR 107W;457U;457G

107SGR-4



107SGL-4





ZIG-ZAG BINDER FEET

210562A2



210564A4



ZIG-ZAG BRASSIRE FOOT

適用直線(LONG BOTTOM) 外寬-針孔寬
OUTER WIDTH-NEEDLESINE



- SIZE
- 457-01X10.2mm -6.2mm
 - 457-02X12 mm -7.5mm
 - 457-03X14 mm -7.5mm
 - 457-04X16 mm -10.5mm
 - 457-05X19 mm -12.5mm
 - 457-06X22 mm -14.5mm



適用轉角(SHORT BOTTOM) 外寬-針孔寬
OUTER WIDTH-NEEDLESINE

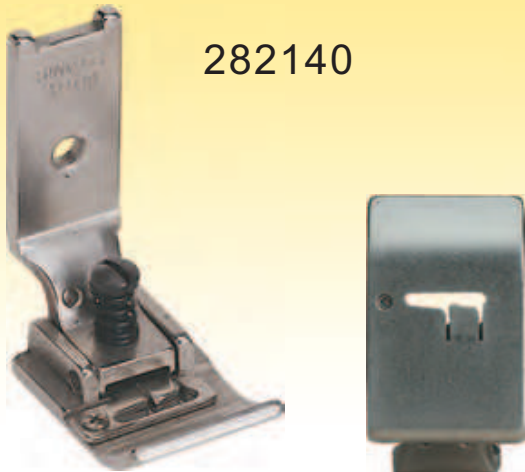


- SIZE
- 457-1X10.2mm-6.2mm
 - 457-2X12 mm-7.5mm
 - 457-3X14 mm-7.5mm
 - 457-4X16 mm-10.5mm
 - 457-5X19 mm-12.5mm
 - 457-6X22 mm-14.5mm



INVISIBLE CUTTER THREAD FEET

282140



282139





ZIG-ZAG THICKER MATERIAL FEET

503595
503595-G



厚物(HEAVY)

ZIG-ZAG LIGHT MATERIAL FEET

503595HK
503595HK-G



薄物(LIGHT)

ZIG-ZAG THICKER MATERIAL FEET

503689
503689-G



厚物(HEAVY)

ZIG-ZAG LIGHT MATERIAL FEET

503689HK
503689HK-G



薄物(LIGHT)

ZIG-ZAG STANDARD FEET

411215
411215-G

標準押布腳
STANDARD FEET



ZIG-ZAG STANDARD FEET

503818
503818-G

標準押布腳
STANDARD FEET





<p>SINGLE NEEDLE FOR ALL MACHINE</p> <p>150384-0-01</p> <p>可加裝在各廠牌單針安全保護套 THE SAFETY GUARD USE ON ALL KIND OF MACHINE FOR SINGLE NEEDLE.</p> <p>150384-0-01 → </p>	<p>FOR SINGER SINGLE NEEDLE MACHINES</p> <p>Classes:95;96;400W; 600w;31-15;241;251 ETC. NEEDLE GUARD #G5</p> 	<p>FOR PFAFF Classes: 461;462;463;467;469; 483;434;ETC.</p> <p>NEEDLE GUARD #19S(#61231A)</p> 	
<p>FOR SINGER Classes: 112W;212W;ETC.</p> <p>NEEDLE GUARD #14R</p> 	<p>FOR SINGER Classes: 107W;111W;143W;153K; 153W;457G;ETC. SINGLE NEEDLE MACHINE</p> <p>NEEDLE GUARD #259081 (#225365)</p> 	<p>FOR WW DOUBLE NEEDLE MACHINES</p> <p>NEEDLE GUARD #22G</p> 	<p>FOR SINGER Classes: 108W AND WW SINGLE NEEDLE MACHINE</p> <p>NEEDLE BUARD #16A</p> 
<p>3 NEEDLE EDGE GUIDE WITH ROLLER ADJUSTABLE FEET</p> <p>R-3DW-G10</p> <p>1. 可以調整左.右擋邊尺寸. 2. 車縫布條.可調整大小. 0~20mm 1.CAN ADJUSTABLE THE SIZE OF BOTH SIDE ON THE EGDE. 2.SEAM CLOTH CAN ADJUSTABLE</p> <p>THE TAPE SIZE. 0~20mm</p> <p>NEW</p>  <p>SIZE 4.8mm 5.6mm 6.4mm</p>	<p>3 NEEDLE EDGE GUIDE WITH ROLLER FEET</p> <p>R-3DWG</p> <p>可以調整左.右擋邊尺寸 CAN ADJUSTABLE THE SIZE OF BOTH SIDE ON THE EGDE.</p> <p>NEW</p>  <p>SIZE 4.8mm 5.6mm 6.4mm</p>	<p>3 NEEDLE TEFLON COATED FOOT</p> <p>CF3DW</p> <p>SIZE 4.8mm 5.6mm 6.4mm</p> 	



3 STITCHING OVERLOCKED SEAM FOR BROTHER PEGASUS SIRUBA

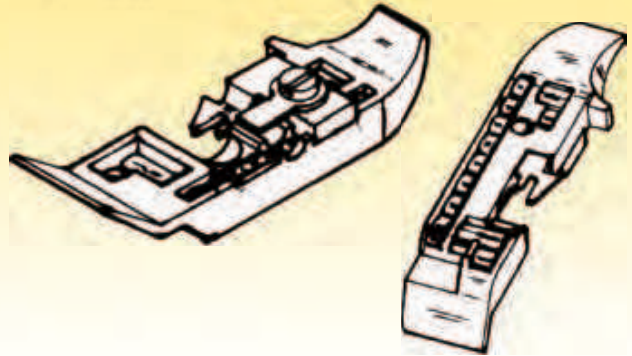
R3-1(HM6-1-1)



THE DRAWING FOR REFERENCE ONLY, IT BASE ON DIFFERENT OF FEET. (僅供參考,以實物為準)

4 STITCHING OVERLOCKED SEAM FOR YAMATO PEGASUS JUKI

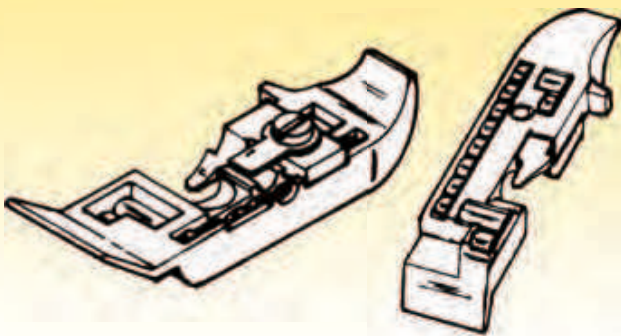
R4-2 (HM6-1-4)



THE DRAWING FOR REFERENCE ONLY, IT BASE ON DIFFERENT OF FEET. (僅供參考,以實物為準)

3 STITCHING OVERLOCKED SEAM FOR YAMATO SIRUBA JUKI PEGASUS

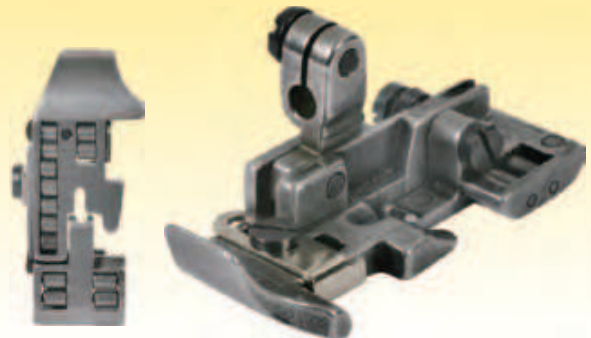
R3-2(HM6-1-3)



THE DRAWING FOR REFERENCE ONLY, IT BASE ON DIFFERENT OF FEET. (僅供參考,以實物為準)

5 STITCHING OVERLOCKED SEAM FOR PEAGUS SIRUBA

R5-1X 3mm(HM6-2-1X 3mm)
R5-1X 5mm(HM6-2-1X 5mm)



THE DRAWING FOR REFERENCE ONLY, IT BASE ON DIFFERENT OF FEET. (僅供參考,以實物為準)

4 STITCHING OVERLOCKED SEAM FOR BROTHER PEGASUS SIRUBA

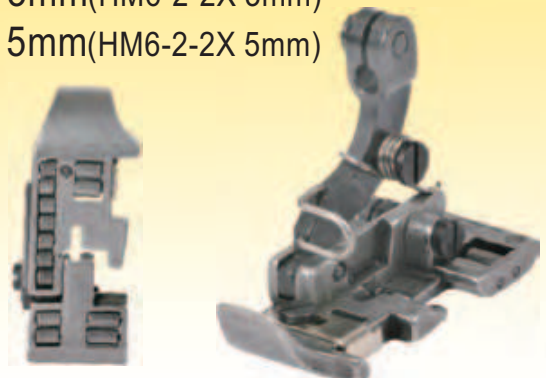
R4-1(HM6-1-2)



THE DRAWING FOR REFERENCE ONLY, IT BASE ON DIFFERENT OF FEET. (僅供參考,以實物為準)

5 STITCHING OVERLOCKED SEAM FOR JUKI KINTEX

R5-2X 3mm(HM6-2-2X 3mm)
R5-2X 5mm(HM6-2-2X 5mm)



THE DRAWING FOR REFERENCE ONLY, IT BASE ON DIFFERENT OF FEET. (僅供參考,以實物為準)



KAPEX[®]
ZALOŽENÉ 1992

TURRET TO TAKE 3 PRESSER FEET

154628-0-01 (FOR BROTHER)



(PRESSER FOOT NOT INCLUDED)

MAS-07300-AA0
(FOR JUKI)



#SS1
#PB-3
#NBBF

SCREW/SPRING ITEM NO	LENGTH	APPURTENANCE SUITABLE FOR LENGTH 適用 配件 / 尺寸 表	UNIT PRICE NT\$
CFS-1	13.5mm	CR/CL1/32E(K), CR/CL1/16E(K), CR/CL3/32E(K), CR/CL10, CR/CL15, CR/CL20, CR/CL25, 21R, 211R, 22L, 221, 211 1/2, 221 1/2.	3
CFS-2	14.5mm	CR/CL1/8E(K), CR/CL30, 212, 222.	3
CFS-3	16mm	CR/CL3/16E(K), CD0.8/1.0mm, 213, 223, 231.	3
CFS-4	17.5mm	CR/CL1/4E(K), CD-20, CR/CL65, CR/CL70, 214, 224	3
CFS-5	10.5mm	CR/CL1/32N(K), CR/CL1/16N(K), CR/CL10N, CR/CL15N, 210, 211N, 220, 221N.	3
CFS-6	20.5mm	CR/CL3/8E(K) CR/CL90, CR/CL95, CR/CL100, 216, 226, 21-16.	3
CFS-7	19mm	CR/CL5/16E(K), CR/CL80, 215, 225	3
CFS-8	21.5mm	CD-30, D232.	3
CFS-9	18mm	211-14.	3
CFS-10	3mmx0.5	21-14~211-18 (内角螺絲)	3
CFS-11	19.5mm	211-14, 21-14	3
CFS-12	19.5mm		3
CFS-13	24mm	CR/CL1/2E(K), 21-18, D233.	3
CFS-14	25mm	D234	3
CSP-1	2.5x8mm	CR/CL1/32N(K), CR/CL1/16N(K), (B20)	0.5
CSP-2	2.8x8mm	CR/CL1/32E(K), CR/CL1/2E(K), (B25)	0.5
CSP-4	2.0x8.5mm	211-14, 211-18	0.5
CSP-5	3.0x8mm	21R~218, 22L~228, T36N, T36LN, T363 (B30U)	0.5



CONVERSION TABLE INCH / MILIMETER

(吋) INCH	(mm) MILIMETER	(吋) INCH	(mm) MILIMETER	(吋) INCH	(mm) MILIMETER
1/64"	0.40mm	25/64"	9.92mm	29/32"	23.02mm
1/32"	0.79mm	13/32"	10.32mm	15/16"	23.81mm
3/64"	1.19mm	27/64"	10.72mm	31/32"	24.61mm
1/16"	1.59mm	7/16"	1.11mm	63/64"	25.00mm
5/64"	1.98mm	29/64"	1.51mm	1"	25.40mm
3/32"	2.38mm	15/32"	1.91mm	1-1/8"	28.58mm
7/64"	2.78mm	31/64"	12.30mm	1-1/4"	31.75mm
1/8"	3.18mm	1/2"	12.70mm	1-3/8"	34.93mm
9/64"	3.57mm	33/64"	13.10mm	1-1/2"	38.10mm
5/32"	3.97mm	17/32"	13.49mm	1-3/4"	44.45mm
11/64"	4.37mm	35/64"	13.89mm	2"	50.80mm
3/16"	4.76mm	9/16"	14.29mm	2-1/4"	57.15mm
13/64"	5.16mm	37/64"	14.68mm	2-1/2"	63.50mm
7/32"	5.56mm	19/32"	15.08mm	2-3/4"	69.85mm
15/64"	5.95mm	39/64"	15.48mm	3"	76.20mm
1/4"	6.35mm	5/8"	15.88mm	3-1/4"	82.55mm
17/64"	6.75mm	21/32"	16.67mm	3-1/2"	88.90mm
9/32"	7.14mm	11/16"	17.46mm	3-3/4"	95.25mm
19/64"	7.54mm	23/32"	18.26mm	4"	101.60mm
5/16"	7.94mm	3/4"	19.05mm	4-1/4"	107.95mm
21/64"	8.33mm	25/32"	19.84mm	4-1/2"	114.30mm
11/32"	8.73mm	13/16"	20.64mm	4-3/4"	120.65mm
23/64"	9.13mm	27/32"	21.43mm	5"	127.00mm
3/8"	9.53mm	7/8"	22.23mm	6"	152.40mm