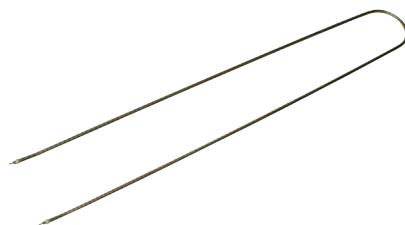


Cod.

Descrizione

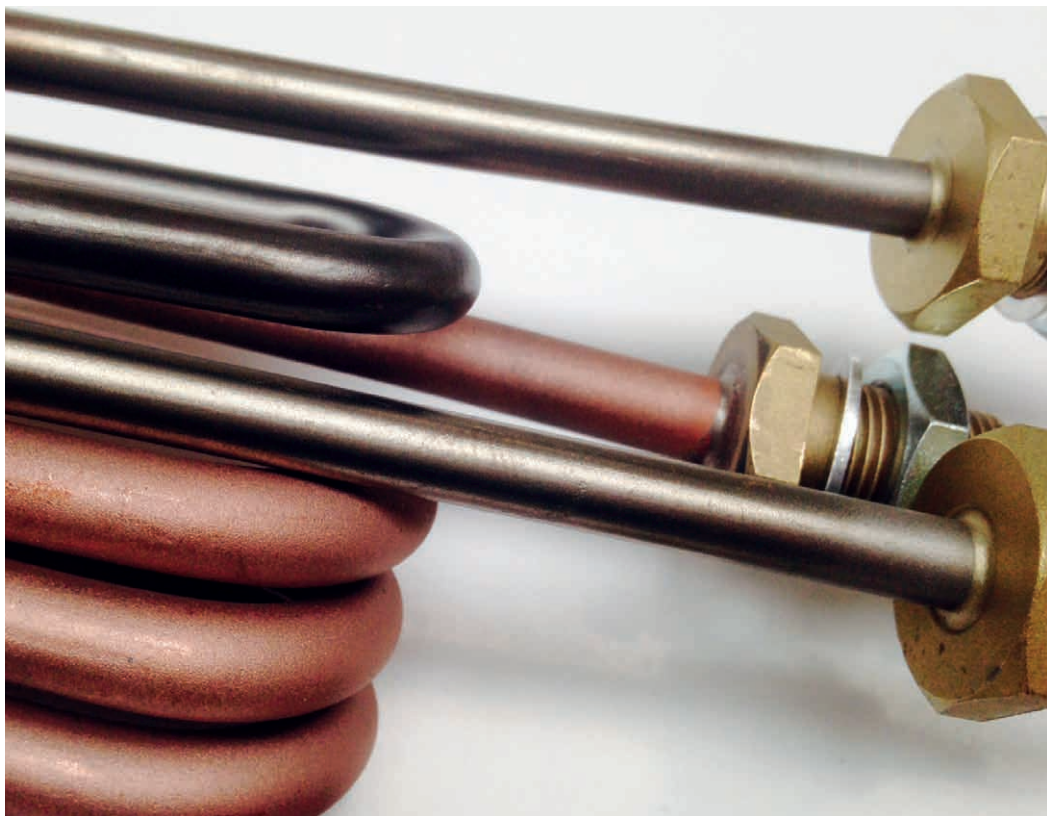
Resistenza per tavolo
Heating element for table
Resistance pour table
Resistencia para mesa

	W.	L
Q.0010	300	1000mm
Q.0020	400	1000mm
Q.0030	500	1000mm
Q.0040	600	1000mm
Q.0050	800	1000mm



Resistenza per Jeannette
Heating element for sleeve arm
Resistance pour Jeannette
Resistencia para brazo manga

	W.	L
Q.0100	100	400mm
Q.0110	150	400mm
Q.0120	200	400mm

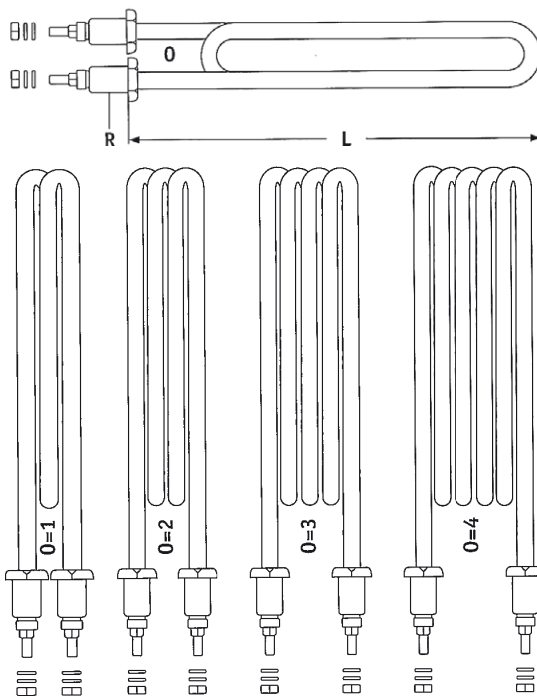


Legenda abbreviazioni
Abbreviations list
Liste d'abbreviations
Lista de abreviaciones

L=mm. lunghezza
 lenght
 longueur
 largo

O occhiello
 button hole
 boucles
 ojales

R raccordo
 fitting
 raccord
 racor



Cod.	Descrizione	R	W	L = mm	O
------	-------------	---	---	--------	---

Elemento corto PONY
 Short element PONY
 Resistance courte PONY
 Elemento corto PONY

Q.0200		3/8	1000	180	1
Q.0210		3/8	1650	180	2
Q.0220		3/8	2000	180	2
Q.0230		3/8	2500	180	2
Q.0240		3/8	3000	180	2



Elemento PONY
 Element PONY
 Resistance PONY
 Elemento PONY

Q.0300		3/8	2000	250	2
Q.0310		3/8	2500	250	2
Q.0320		3/8	3000	270	2
Q.0330		3/8	3300	270	2
Q.0340		3/8	3500	270	2



Cod.	Descrizione	R	W	L = mm	O
	Elemento PONY <i>Element PONY</i> <i>Resistance PONY</i> <i>Elemento PONY</i>				
Q.0350		3/8	4000	270	3
Q.0360		3/8	4500	270	3
Q.0370		3/8	5000	270	3
Q.0380		3/8	6000	270	3
Q.0390		3/8	7000	360	3
Q.0400		3/8	8000	360	3
Q.0410		3/8	9000	360	4
Q.0450		3/8	10000	360	4



Elemento BM - FIMAS
Element BM - FIMAS
Resistance BM - FIMAS
Elemento BM - FIMAS

Q.0500		3/8	1500	230	1
Q.0510		3/8	2000	230	2
Q.0520		3/8	2000	320	2
Q.0530		3/8	2500	230	2
Q.0540		3/8	2500	320	2
Q.0550		3/8	3000	230	3
Q.0560		3/8	3000	320	2
Q.0570		3/8	3500	230	3
Q.0580		3/8	3500	320	2
Q.0590		3/8	3700	320	2
Q.0600		3/8	4000	230	3
Q.0610		3/8	4000	320	3
Q.0620		3/8	4500	230	3
Q.0630		3/8	4500	320	3
Q.0640		3/8	5000	230	3
Q.0650		3/8	5000	320	3
Q.0660		3/8	5500	320	3
Q.0670		3/8	6000	230	3
Q.0680		3/8	6000	320	3
Q.0690		3/8	6500	320	3
Q.0700		3/8	7000	320	3



Elemento CAMPTEL - GHIDINI
Element BM - FIMAS
Resistance BM - FIMAS
Elemento BM - FIMAS

Q.0800		3/8	1300	270	1
Q.0810		3/8	1500	270	1
Q.0820		3/8	1700	270	1
Q.0830		3/8	2000	270	1
Q.0840		3/8	2300	270	1
Q.0850		3/8	2500	270	1
Q.0860		3/8	2700	270	1
Q.0870		3/8	3000	270	1



Cod.	Descrizione	R	W	L = mm	O
	Elemento 3/8" con porta sonda CAMPTEL <i>Element 3/8" with probe holder CAMPTEL</i> <i>Resistance 3/8" avec porte sonde CAMPTEL</i> <i>Elemento 3/8" con soporte sonda CAMPTEL</i>				
Q.0900		3/8	4000	270	3
Q.0910		3/8	5000	270	3
Q.0920		3/8	6000	270	3



	Elemento COMEL <i>Element COMEL</i> <i>Resistance COMEL</i> <i>Elemento COMEL</i>				
Q.1000		3/8	1650	180	1
Q.1010		3/8	2000	180	1



	Elemento COMEL (faston) <i>Element COMEL (faston)</i> <i>Resistance COMEL (faston)</i> <i>Elemento COMEL (faston)</i>				
Q.1020		3/8	1650	180	1
Q.1030		3/8	2000	180	1
Q.1040		3/8	2500	180	1



	Elemento con portasonda COMEL flangia quadrata <i>Element with probe holder COMEL square flange</i> <i>Resistance avec sonde COMEL bride carree</i> <i>Elemento con soporte sonda COMEL brida quadrada</i>				
Q.1050		1/4	1650	133	





Cod.	Descrizione	R	W	L = mm	O
Q.1100	Elemento CASOLI (faston) <i>Element CASOLI (faston)</i> <i>Resistance CASOLI (faston)</i> <i>Elemento CASOLI (faston)</i>	1/4	1500	180	2
Q.1110		1/4	2000	180	2
Q.1150	Elemento <i>Element</i> <i>Resistance</i> <i>Elemento</i>	1/4	2000	180	2
Q.1200	Elemento STIROVAP <i>Element STIROVAP</i> <i>Resistance STIROVAP</i> <i>Elemento STIROVAP</i>	1/4	1500	160	
Q.1210		1/4	2200	160	
Q.1300	Tortiglione <i>Spiral heating element</i> <i>Resistance tortillon</i> <i>Elemento circular</i>	3/8	1650	100	
Q.1310		3/8	2000	100	
Q.1320		3/8	2700	100	
Q.1330		3/8	3000	125	
Q.1340		3/8	3300	125	
Q.1350		3/8	3500	125	



Cod. Descrizione R W L = mm O

Spirale
Flat spiral heating element
Resistance spirale
Elemento espiral

Q.1400		3/8	1600	50
Q.1410		3/8	2000	50
Q.1420		3/8	2500	50
Q.1430		3/8	3000	50
Q.1440		3/8	3500	50



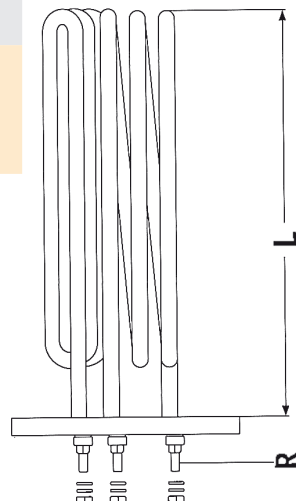
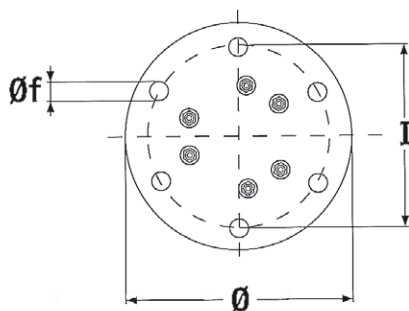
Legenda abbreviazioni

Abbreviations list

Liste d'abbreviations

Lista de abreviaciones

\emptyset = mm.	diametro flangia flange diameter diametro bride diametro brida	l = mm.	interasse fori distance between holes centre distance entre le trous distancia entre agujero
Δ = mm.	flangia triangolare triangular flange bride triangulaire brida triangular	$\emptyset f$ = mm.	diametro fori holes diameter diametro diametro
L = mm.	lunghezza length longueur largo	R	raccordo fitting raccord racor



Cod. Descrizione W Ø L Øf l

Resistenza con flangia 4 fori CAMPTTEL
Heating element with flange 4 holes CAMPTTEL
Resistance a bride 4 trous CAMPTTEL
Resistencia con brida 4 foros CAMPTTEL

Q.1500		2800	110	160	10	95
Q.1510		3500	110	160	10	95
Q.1520		5000	110	180	10	95
Q.1525		7000	110	180	10	95



Résistances et pièces détachées pour machines à repasser
Resistencias y recambios para máquinas de planchar

PRIMA

Cod.	Descrizione	W	Ø	L	Øf	I
	Resistenza con flangia 6 fori CAMPTEL Heating element with flange 6 holes CAMPTEL Resistance a bride 6 trous CAMPTEL Resistencia con brida 6 foros CAMPTEL					
Q.1530		5000	152	250	15	125
Q.1540		6500	152	250	15	125
Q.1550		7500	152	250	15	125
Q.1560		10000	152	280	15	125
Q.1570		12000	152	280	15	125
Q.1580		15000	152	280	15	125



	Resistenza con flangia 6 fori CAMPTEL Heating element with flange 6 holes CAMPTEL Resistance a bride 6 trous CAMPTEL Resistencia con brida 6 foros CAMPTEL					
Q.1590		10000	195	280	15	165
Q.1600		12000	195	280	15	165
Q.1610		15000	195	280	15	165



	Resistenza con flangia 6 fori GHIDINI Heating element with flange 6 holes GHIDINI Resistance a bride 6 trous GHIDINI Resistencia con brida 6 foros GHIDINI					
Q.1700		2700	130	155	10	110
Q.1710		3000	130	155	10	110
Q.1720		3500	130	180	10	110
Q.1730		4500	130	180	10	110
Q.1740		6000	130	180	10	110



	Resistenza con flangia 6 fori GHIDINI Heating element with flange 6 holes GHIDINI Resistance a bride 6 trous GHIDINI Resistencia con brida 6 foros GHIDINI					
Q.1750		5500	147	250	12	120
Q.1760		7000	147	250	12	120
Q.1770		8500	147	250	12	120
Q.1780		10000	147	250	12	120
Q.1790		12000	147	280	12	120
Q.1800		15000	147	370	12	120
Q.1810		18000	147	370	12	120
Q.1820		20000	147	450	12	120
Q.1830		24000	147	450	12	120
Q.1840		25000	147	450	12	120
Q.1850		27000	147	450	12	120
Q.1860		30000	147	450	12	120



Cod.	Descrizione	W	Ø	L	Øf	I
	Tortiglione con flangia 4 fori CAMPTEL <i>Spiral heating element with flange 4 holes CAMPTEL</i> <i>Tortillon a bride 4 trous CAMPTEL</i> <i>Resistencia circular con brida 4 foros CAMPTEL</i>					
Q.1900		1500	110	100	10	96
Q.1910		2800	110	100	10	96



	Resistenza con flangia 6 fori COCCHI - BARBANTI <i>Heating element with flange 6 holes COCCHI - BARBANTI</i> <i>Resistance a bride 6 trous COCCHI - BARBANTI</i> <i>Resistencia con brida 6 foros COCCHI - BARBANTI</i>					
Q.2000		2500	125	160	10	105
Q.2010		2600	125	140	10	105
Q.2020		3000	125	160	10	105
Q.2030		3500	125	180	10	105
Q.2040		3600	125	140	10	105
Q.2050		3900	125	180	10	105
Q.2060		4700	125	180	10	105
Q.2070		6000	125	180	10	105



	Resistenza con flangia 8 fori BARBANTI <i>Heating element with flange 8 holes BARBANTI</i> <i>Resistance a bride 8 trous BARBANTI</i> <i>Resistencia con brida 8 foros BARBANTI</i>					
Q.2100		3000	152	180	10	125
Q.2110		6000	152	200	10	125
Q.2120		7500	152	200	10	125



	Resistenza con flangia 6 fori RENZACCI - REALSTAR <i>Heating element with flange 6 holes RENZACCI - REALSTAR</i> <i>Resistance a bride 6 trous RENZACCI - REALSTAR</i> <i>Resistencia con brida 6 foros RENZACCI - REALSTAR</i>					
Q.2200		6000	152	200	9	128
Q.2210		8500	152	200	9	128
Q.2220		9000	152	200	9	128



Cod.	Descrizione	W	Ø	L	Øf	I
Q.2300	Resistenza con flangia 4 fori STIROVAP Heating element with flange 4 holes STIROVAP	3000	120	160	9	102
Q.2310	Resistance a bride 4 trous STIROVAP Resistencia con brida 4 foros STIROVAP	4400	120	160	9	102



Cod.	Descrizione	W	Ø	L	Øf	I
Q.2400	Resistenza con flangia 8 fori TREVIL con guarnizione Heating element with flange 8 holes TREVIL with gasket	2000	110	8	85	
Q.2410	Resistance a bride 8 trous TREVIL avec joint	4000	110	8	85	
Q.2420	Resistencia con brida 8 foros TREVIL con guarnicion	6000	110	8	85	



Q.2400



Q.2410



Q.2420

Cod.	Descrizione	W	Ø	L	Øf	I
Q.2450	Resistenza con flangia 4 fori SARTITALIA Heating element with flange 4 holes SARTITALIA	3600	120	175	10	100
Q.2455	Resistance a bride 4 trous SARTITALIA	4500	120	175	10	100
Q.2460	Resistencia con brida 4 foros SARTITALIA	6000	120	175	10	100



Cod.	Descrizione	W	Ø	L	Øf	I
Q.2480	Resistenza con flangia 4 fori SARTITALIA con portasonda Heating element with flange 4 holes with probe holder SARTITALIA	3600	120	175	10	100
Q.2485	Resistance a bride 4 trous avec porte sonde SARTITALIA	4500	120	175	10	100
Q.2490	Resistencia con brida 4 foros con soporte sonda SARTITALIA	6000	120	175	10	100



Cod. Descrizione W Ø L Øf I

Resistenza con flangia 2 fori REVERBERI
Heating element with flange 2 holes REVERBERI
Resistance a bride 2 trous REVERBERI
Resistencia con brida 2 foros REVERBERI

Q.2500 1000 92x35 72 7



Resistenza con flangia 4 fori REVERBERI
Heating element with flange 4 holes REVERBERI
Resistance a bride 4 trous REVERBERI
Resistencia con brida 4 foros REVERBERI

Q.2600 1500 110 180 9 85
 Q.2610 3300 110 180 9 85



Resistenza con flangia 6 fori REVERBERI
Heating element with flange 6 holes REVERBERI
Resistance a bride 6 trous REVERBERI
Resistencia con brida 6 foros REVERBERI

Q.2620 5000 150 200 12 121



Resistenza con flangia 4 fori BIELLE
Heating element with flange 4 holes BIELLE
Resistance a bride 4 trous BIELLE
Resistencia con brida 4 foros BIELLE

Q.2650 4500 110 110 9 95
 Q.2660 3500 110 175 9 95
 Q.2665 4500 110 175 9 95
 Q.2670 5500 110 175 9 95
 Q.2675 7500 110 175 9 95
 Q.2680 9000 110 235 9 95



Q.2650

Résistances et pièces détachées pour machines à repasser
 Resistencias y recambios para máquinas de planchar

PRIMA



Cod.	Descrizione	W	Ø	L	Øf	I
Q.2700	Resistenza con flangia smussata 4 fori MAX STIR <i>Element with truncated flange 4 holes MAX STIR</i> <i>Resistance a bride emousse 4 trous MAX STIR</i> <i>Resistencia con brida biselada 4 foros MAX STIR</i>	1100	90	165	9	70
Q.2710		1500	90	165	9	70



Q.2750	Resistenza con flangia 4 fori MAX STIR <i>Heating element with flange 4 holes MAX STIR</i> <i>Resistance a bride 4 trous MAX STIR</i> <i>Resistencia con brida 4 foros MAX STIR</i>	1000	75	155	9	55
--------	--	------	----	-----	---	----



	W	Ø	L	Øf
Q.2800	3900	165x70	140	10
Q.2810	4500	165x70	140	10



	W	Ø	L	Øf
Q.2900	9000	120x120	265	10
Q.2910	12000	120x120	265	10
Q.2920	15000	120x120	265	10
Q.2930	18000	120x120	265	10



Cod.	Descrizione	Δ	W	L	\varnothing f
	Res. con flangia triangolare con portasonda <i>Heating element with triangular flange with probe holder</i> <i>Resistance a bride triangulaire avec porte sonde</i> <i>Resistencia con brida triangular con soporte sonda</i>				

Q.3300		78	1500	170	12
Q.3350		78	2000	220	12



Q.3300

Q.3350

	Resistenza con flangia triangolare SARTITALIA con portasonda <i>Heating element with triangular flange SARTITALIA with probe holder</i> <i>Resistance a bride triangulaire SARTITALIA avec porte sonde</i> <i>Resistencia con brida triangular SARTITALIA con soporte sonda</i>				
--	--	--	--	--	--

Q.3370		78	1600	165	10
--------	--	----	------	-----	----



	R	W	L
Q.3400	1"	1000	150
Q.3405	1"	1200	150
Q.3410	1"	1500	170
Q.3420	1"	2000	170



	Resistenza a tappo filettato con portasonda <i>Heating element on threaded cap with probe holder</i> <i>Resistance a bouchon filete avec porte sonde</i> <i>Resistencia de tapon con rosca con soporte sonda</i>			
--	---	--	--	--

Q.3490	1"	1000	150
Q.3500	1"	1200	150



Cod. **Descrizione** **R** **W** **L**

Resistenza a tappo filettato
Heating element on threaded cap
Resistance a bouchon filete
Resistencia de tapon con rosca

Q.3600		1 1/4"	900	150
Q.3610		1 1/4"	1500	170
Q.3620		1 1/4"	2000	170
Q.3630		1 1/4"	2500	170



Resistenza alluminio a tappo filettato
Alluminium heating element on threaded cap
Resistance aluminium a bouchon filete
Resistencia aluminio de tapon con rosca

Q.3700		1"	1000	150
--------	--	----	------	-----



Resistenza a tappo filettato con portasonda
Element on threaded cap with probe holder
Resistance a bouchon filete avec porte sonde
Resistencia de tapon con rosca con soporte sonda

Q.3790		1 1/4"	900	170
Q.3800		1 1/4"	1500	170

Q.3790



Q.3800

Resistenza completa
Complete heating element
Resistance complete
Resistencia completa

Q.3900	DOMINA TREVIL		700	
Q.3910	FABER TREVIL		1400	



Cod.	Descrizione
Q.4000	Resistenza alluminio 3 fori <i>Alluminium heating element 3 holes</i>
Q.4010	Resistance aluminium 3 trous <i>Resistencia aluminio 3 foros</i>
Q.4000	W. 1000 GHIDINI - PONY - CAMPTEL
Q.4010	W. 1500 GHIDINI - CAMPTEL



Q.4090	Flangia quadrata 4 fori COMEL <i>Squared flange 4 holes COMEL</i> <i>Bride carree 4 trous COMEL</i> <i>Brida cuadrada 4 foros COMEL</i>
Q.4090	85x85mm



Q.4100	Flangia 4 fori STIROVAP <i>Flange 4 holes STIROVAP</i> <i>Bride 4 trous STIROVAP</i> <i>Brida 4 foros STIROVAP</i>
Q.4100	Ø 120mm



Q.4110	Flangia 6 fori PONY <i>Flange 6 holes PONY</i> <i>Bride 6 trous PONY</i> <i>Brida 6 foros PONY</i>
Q.4110	Ø 160mm
Q.4120	Ø 180mm
Q.4130	Ø 200mm



Q.4110



Q.4120



Q.4130

Cod. Descrizione

Flangia 6 fori CAMPTEL
 Flange 6 holes CAMPTEL
 Bride 6 trous CAMPTEL
 Brida 6 foros CAMPTEL

- Q.4140 Ø 195mm - 6 fori interni
- Q.4150 Ø 195mm - 7 fori interni
- Q.4160 Ø 195mm - 12 fori interni



Q.4140



Q.4150



Q.4160

Guarnizione per elemento
 Gasket for heating element
 Joint pour resistance element
 Guarnicion para elemento

- Q.4300 1/4"
- Q.4310 3/8"
- Q.4315 3/8" PTFE

Q.4300



Q.4310



Q.4315

Guarnizione per resistenza
 Gasket for heating element
 Joint pour resistance
 Guarnicion para resistencia

- Q.4320 1"
- Q.4325 1" PTFE
- Q.4330 1" 1/4
- Q.4340 1" 1/2

Q.4320



Q.4325



Q.4330



Q.4340

Guarnizione rettangolare 6 fori MAX STIR
 6 holes rectangular gasket MAX STIR
 Joint rectangulaire 6 trous MAX STIR
 Guarnicion rectangular 6 foros MAX STIR

- Q.4700



Q.4700

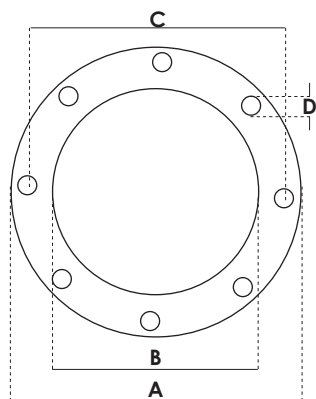
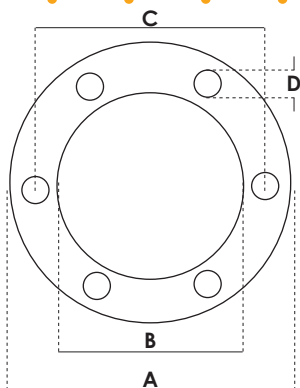
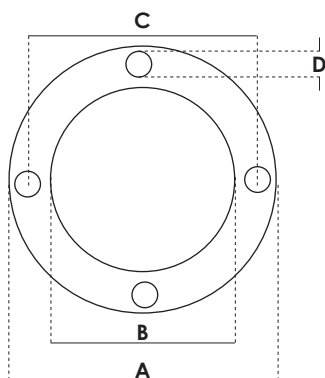
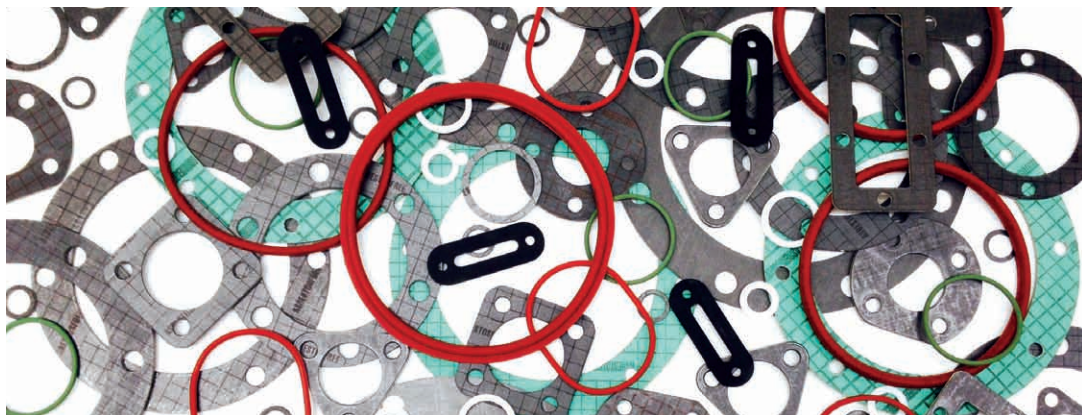
Guarnizione smussata 4 fori MAX STIR
 4 holes truncated gasket MAX STIR
 Joint emousse 4 trous MAX STIR
 Guarnicion biselada 4 foros MAX STIR

- Q.4730



Q.4730





	A	B	C	D	
Q.4500	110	76	94	10	CAMPTEL
Q.4503	110	67	85	9	REVERBERI
Q.4505	121	72	100	9	SARTITALIA
Q.4510	120	85	102	9	STIROVAP

	A	B	C	D	
Q.4515	125	75	105	11	COCCHI BARBANTI
Q.4520	127	81	110	10	GHIDINI
Q.4525	132	78	110	10	CASOLI
Q.4530	146	97	120	12	GHIDINI
Q.4535	151	85	120	11,5	COMEL
Q.4540	150	100	125	15	CAMPTEL
Q.4550	162	115	140	13	PONY
Q.4560	181	137	160	12	PONY
Q.4570	195	133	164	14	CAMPTEL
Q.4580	200	145	181	13	PONY

	A	B	C	D	
Q.4590	222	160	198	12	BM
Q.4600	260	185	232	16	BM
Q.4920	110	65	87	9	TREVIL

Cod.**Descrizione**

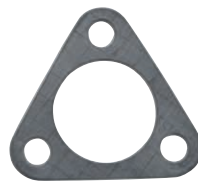
Guarnizione triangolare 3 fori
 3 Holes triangular gasket
 Joint triangulaire 3 trous
 Guarnicion triangular 3 foros

Q.4710
 Q.4720

65mm
 78mm



Q.4710

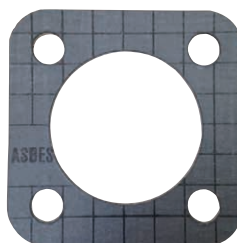


Q.4720

Guarnizione quadrata 4 fori COMEL
 4 Holes square gasket COMEL
 Joint carree 4 trous COMEL
 Guarnicion cuadrada 4 foros COMEL

Q.4740

82x82mm



Guarnizione PTFE caldaia COMEL LT 5
 PTFE gasket for COMEL LT 5 steam generator
 Joint PTFE pour chaudiere COMEL LT 5
 Guarnicion PTFE para generador de vapor COMEL LT 5

Q.4750



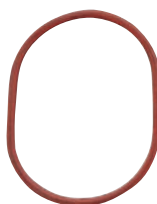
Guarnizione silicone
 Oval silicon gasket
 Joint silicone ovale
 Guarnicion de silicona oval

Q.4900
 Q.4910
 Q.4930

REVERBERI
 TREVIL
 Ø 150mm GHIDINI - PONY - CAMPTEL



Q.4900



Q.4910



Q.4930

Guarnizione universale PTFE per flange adesiva
 Universal PTFE gasket for flanges adhesive
 Joint universel PTFE pour brides autocollant
 Guarnicion universal PTFE para bridas adhesiva

Q.5000

10x3mm

